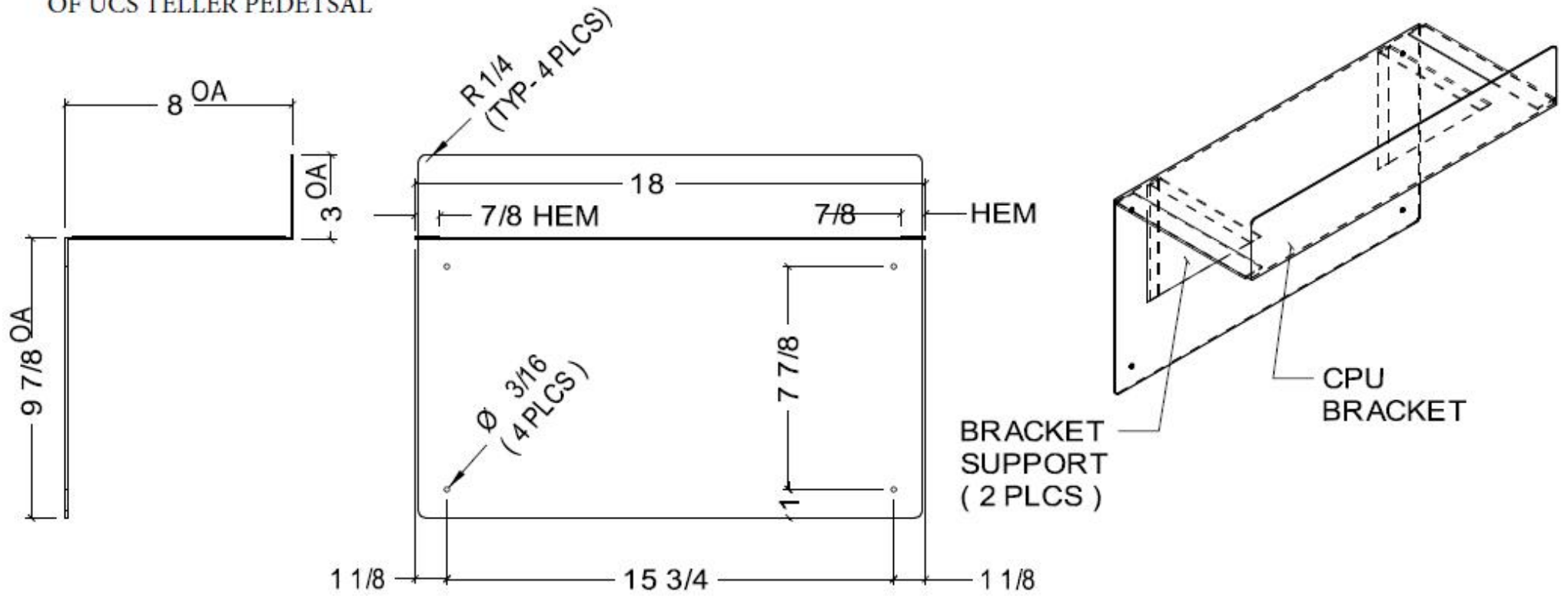
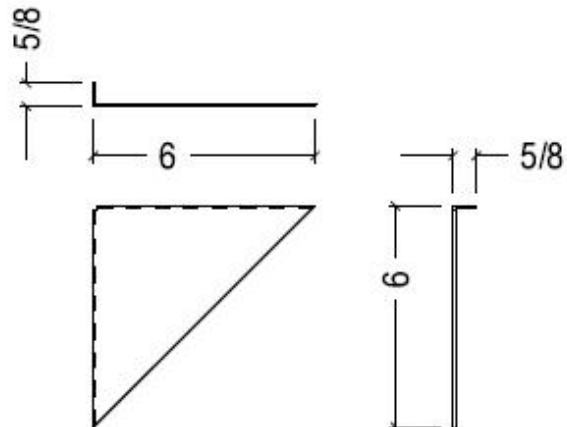


DESIGNED TO BE MOUNTED TO SIDE  
OF UCS TELLER PEDSTAL



BLANK:  $20 \frac{5}{8}$ " x  $19 \frac{3}{4}$ " x 16 GA (QTY: 8)



BLANK:  $6 \frac{1}{2}$ " x  $6 \frac{1}{2}$ " x 16 GA (2/UNIT)

