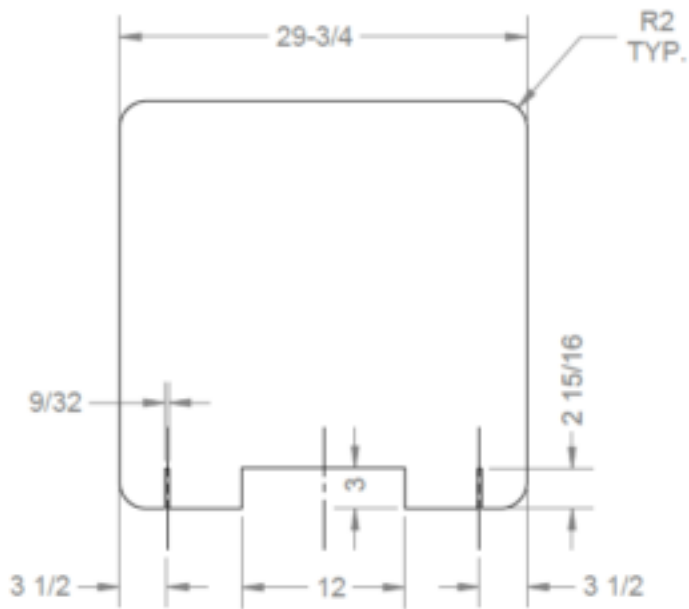
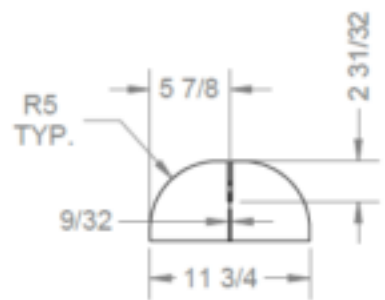


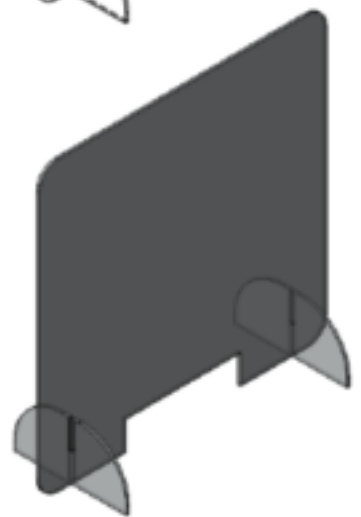
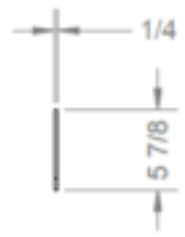
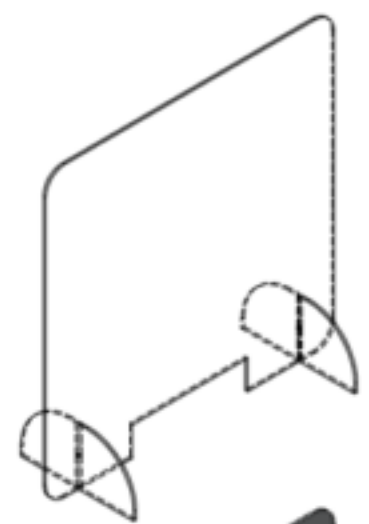
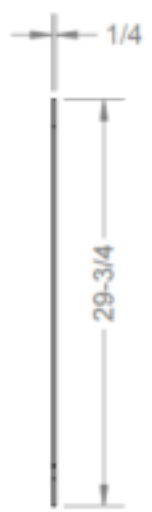
TITLE: GERM SHIELD 29-3/4W x 29-3/4H	DATE: 04/30/20	DATE: 04/17/20	ORDER NO. XXXXXX	PACKAGE SHEET: OF
	USED BY: T.HA	DESIGN BY:	CUSTOMER: FENCO	
	DRAWN BY: T.HA	T.HA		



GERMSHIELD: 1/4" THICK POLYMER (1/ ASSY)



FEET: 1/4" THICK POLYMER (2/ASSY)



Last Update: 04/30/20 T.HA



Fenco
Undercounter & Forecounter Equipment
P.O. BOX 1228 DUBLINGTON, NJ 08118-0128
www.fencoequipment.com