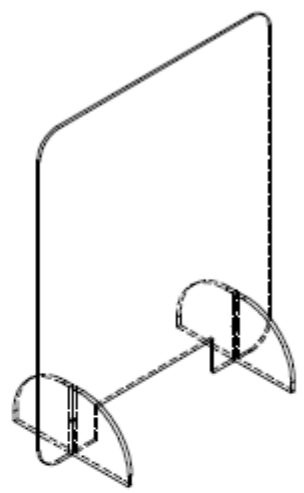
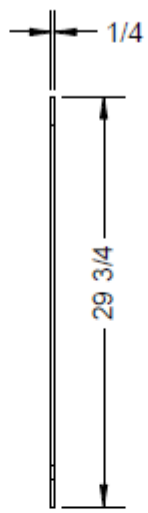
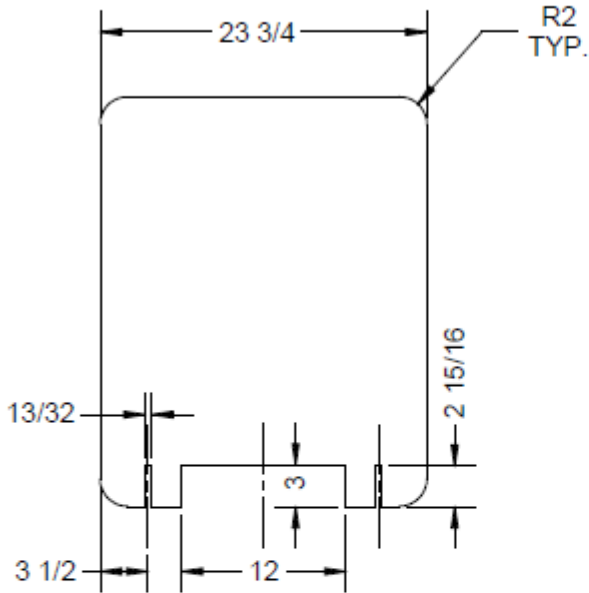
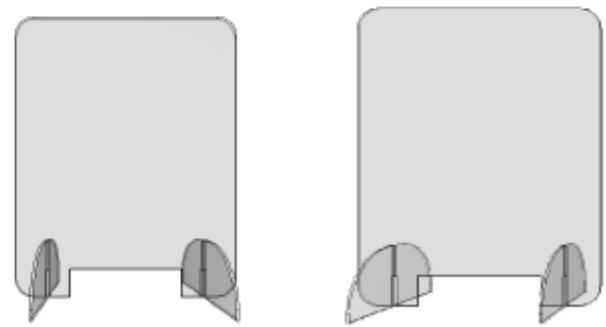
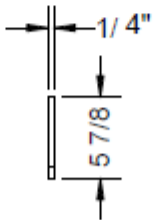
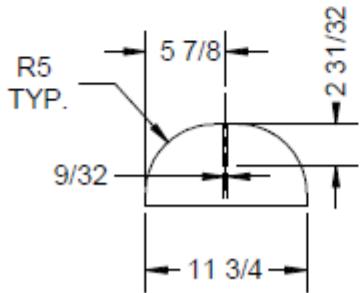


TITLE: FENCO GERM SHIELD	DATE: 03/27/20	DATE: 03/27/20	ORDER NO. XXXXX	PACKAGE SHEET: OF
	USED BY: T.HA	DESIGN BY:	CUSTOMER: FENCO	
	DRAWN BY: T.HA	T.HA		



GERM SHIELD: 1/4" THICK CLEAR POLYMER (1/ ASSY)



FEET: 1/4" THICK POLYMER (2/ASSY)

Last Update: 03/27/20 T.HA

Fenco
Undercounter & Forecounter Equipment
P.O. BOX 1238 BURLINGTON, NJ 08016-0516
www.fencobusinequip.com