

TITLE: GERM SHIELD
29-3/4W x 29-3/4H

DATE: 04/30/20

DATE: 04/17/20

ORDER NO. XXXXX

PACKAGE SHEET: OF

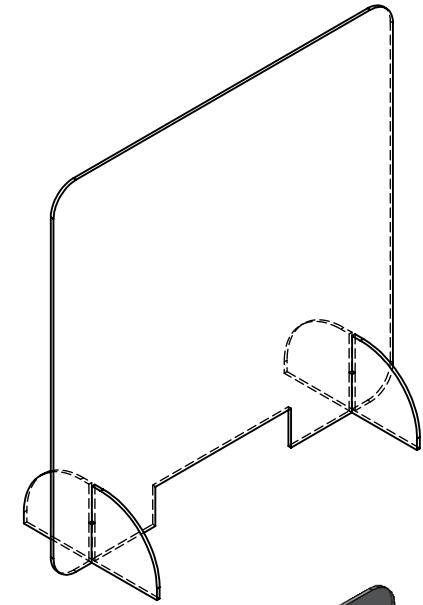
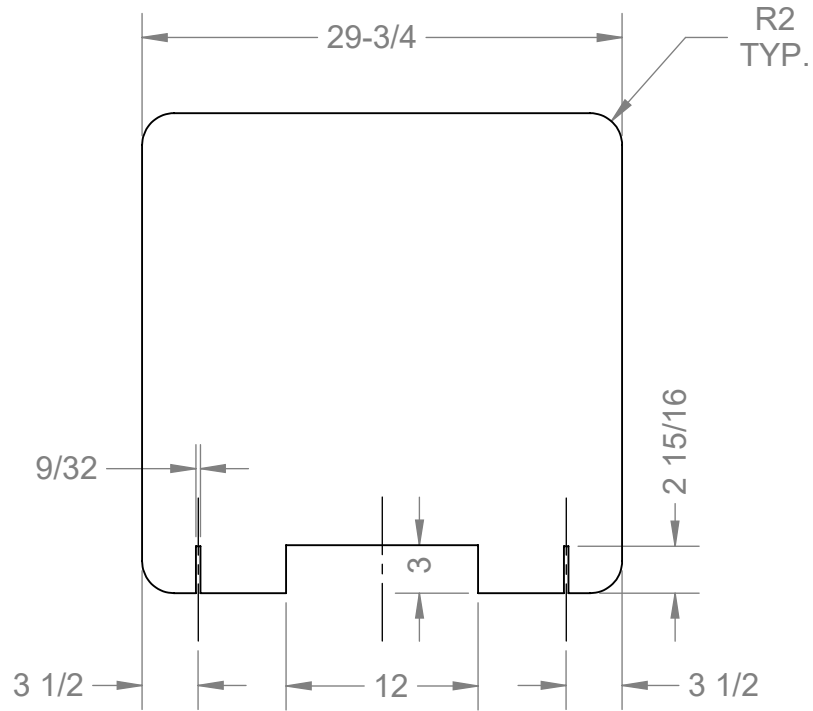
USED BY: T.HA

DESIGN BY:

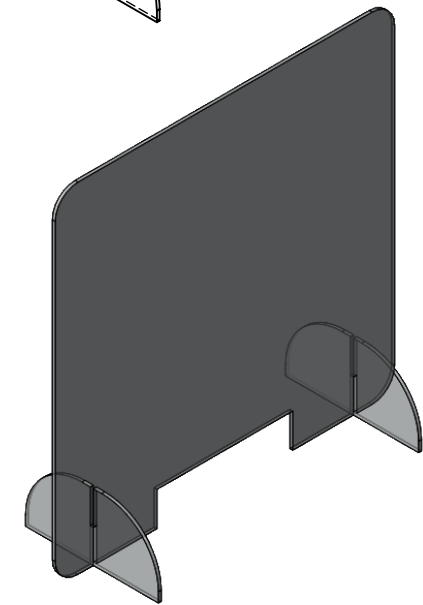
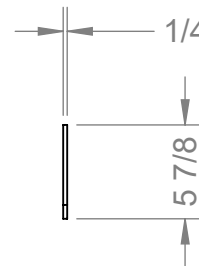
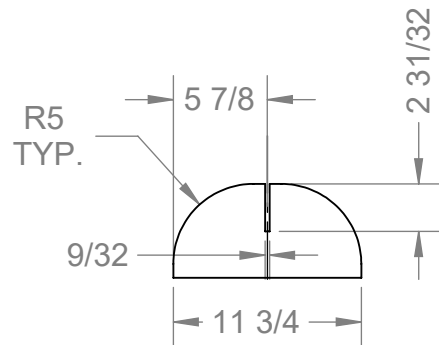
CUSTOMER: FENCO

DRAWN BY: T.HA

T.HA

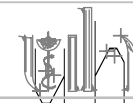


GERMSHIELD: 1/4" THICK POLYMER (1/ ASSY)



FEET: 1/4" THICK POLYMER (2/ASSY)

Last Update: 04/30/20 T.HA



Fenco
Undercounter & Forecounter Equipment
P.O. BOX 1238 BURLINGTON, NJ 08016-0516
www.fencobankequipment.com