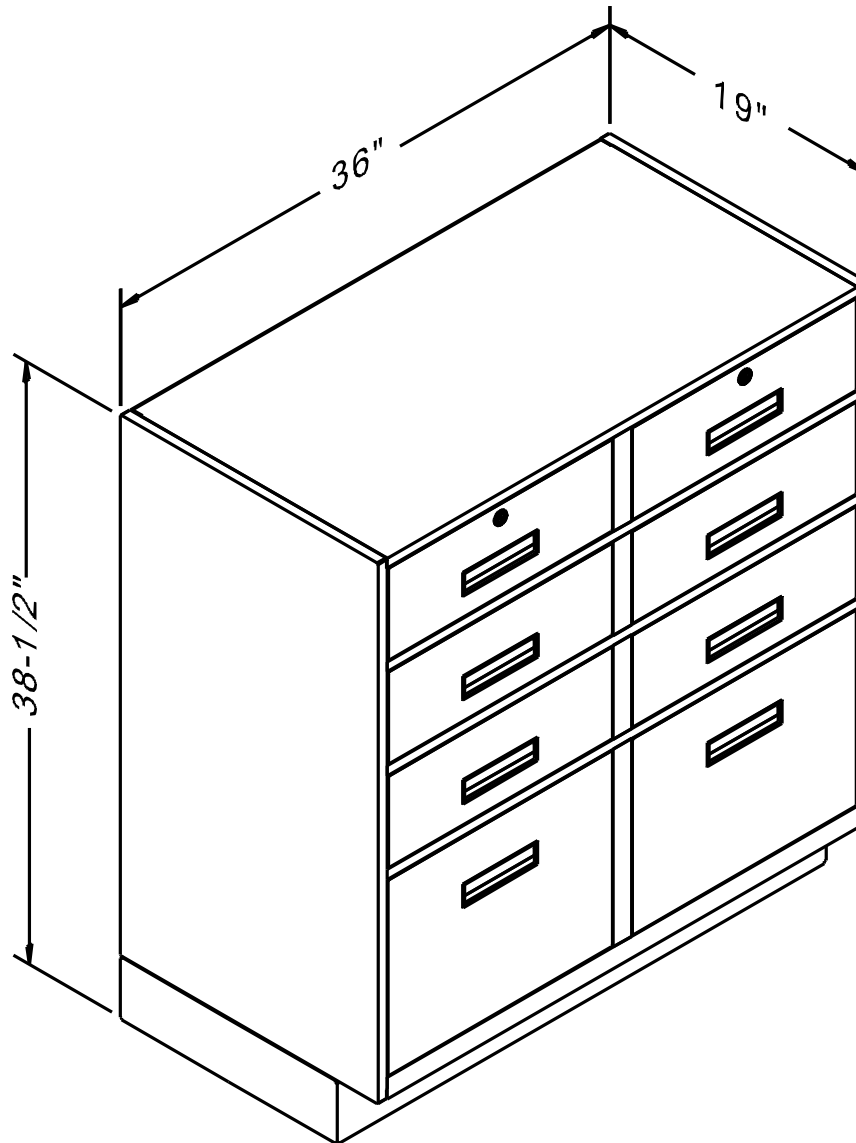


PART NO:	TITLE:	USED BY:	SCALE:	ORDER NO. -	PACKAGE SHEET: OF
SHEET: OF	213-19	DATE:	DRN BY: BOLTON T. DATE: 01/15/01	CUSTOMER: FENCO	



Last Update: 12/11/2007 - Bolton T.

Fenco
 Undercounter & Forecounter Equipment
 P.O. BOX 1238 BURLINGTON, NJ 08016-0516
www.fencobankequipment.com