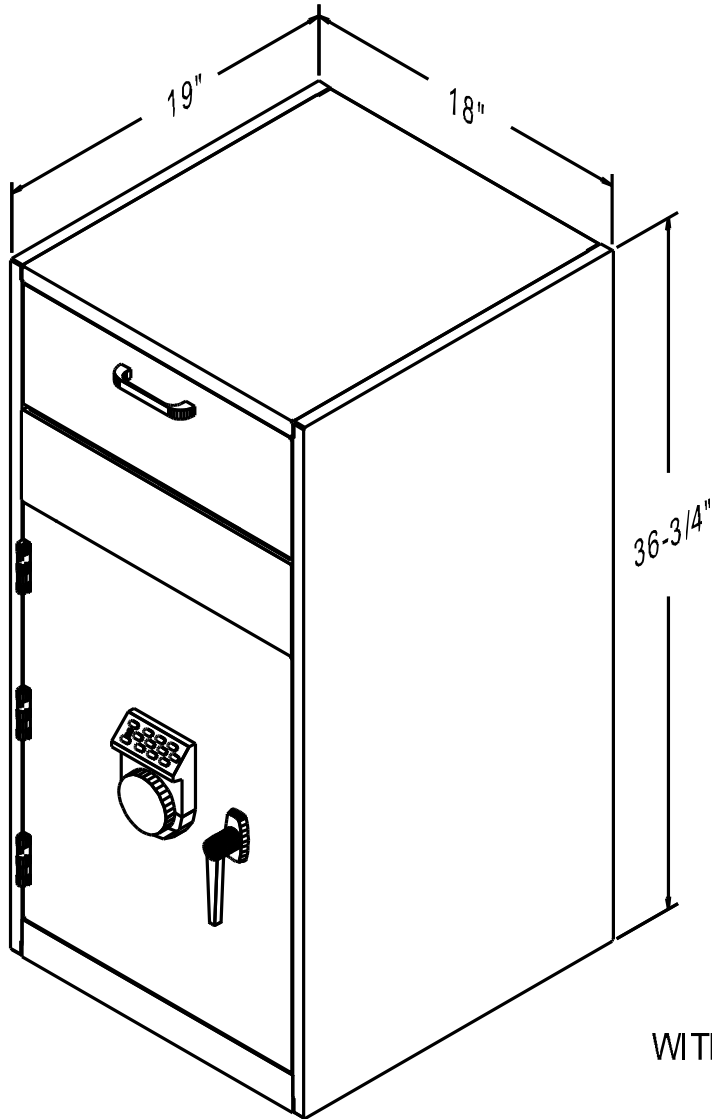


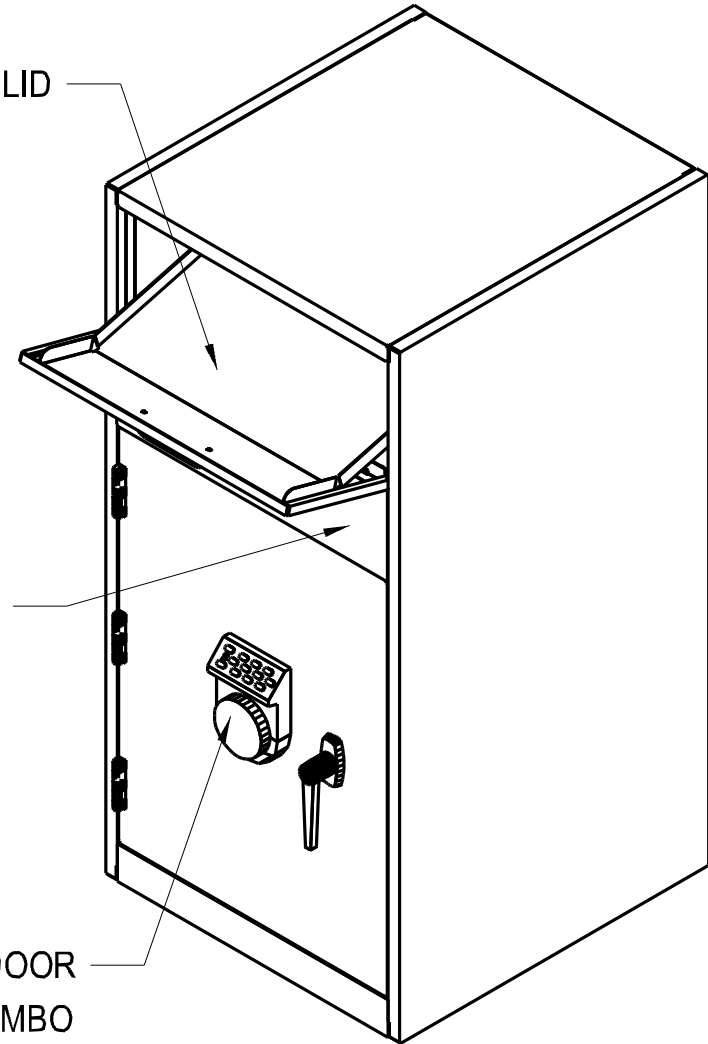
PART NO.: .	TITLE: 227-19, PEDESTAL DEPOSITORY 18" W X 19" D X 36-3/4" H	USED BY:	SCALE: NTS	ORDER NO: -	PACKAGE SHEET: OF
SHEET: 1 OF: 2		DRN BY: Bolton T.	DATE: 06/15/07	CUSTOMER: FENCO	



UNIT VIEW WITH REVOLING LID CLOSED
SEE SHEET 2 OF 2 FOR DETAIL

UNIT VIEW WITH REVOLING LID OPENED

REVOLING LID
OPENED



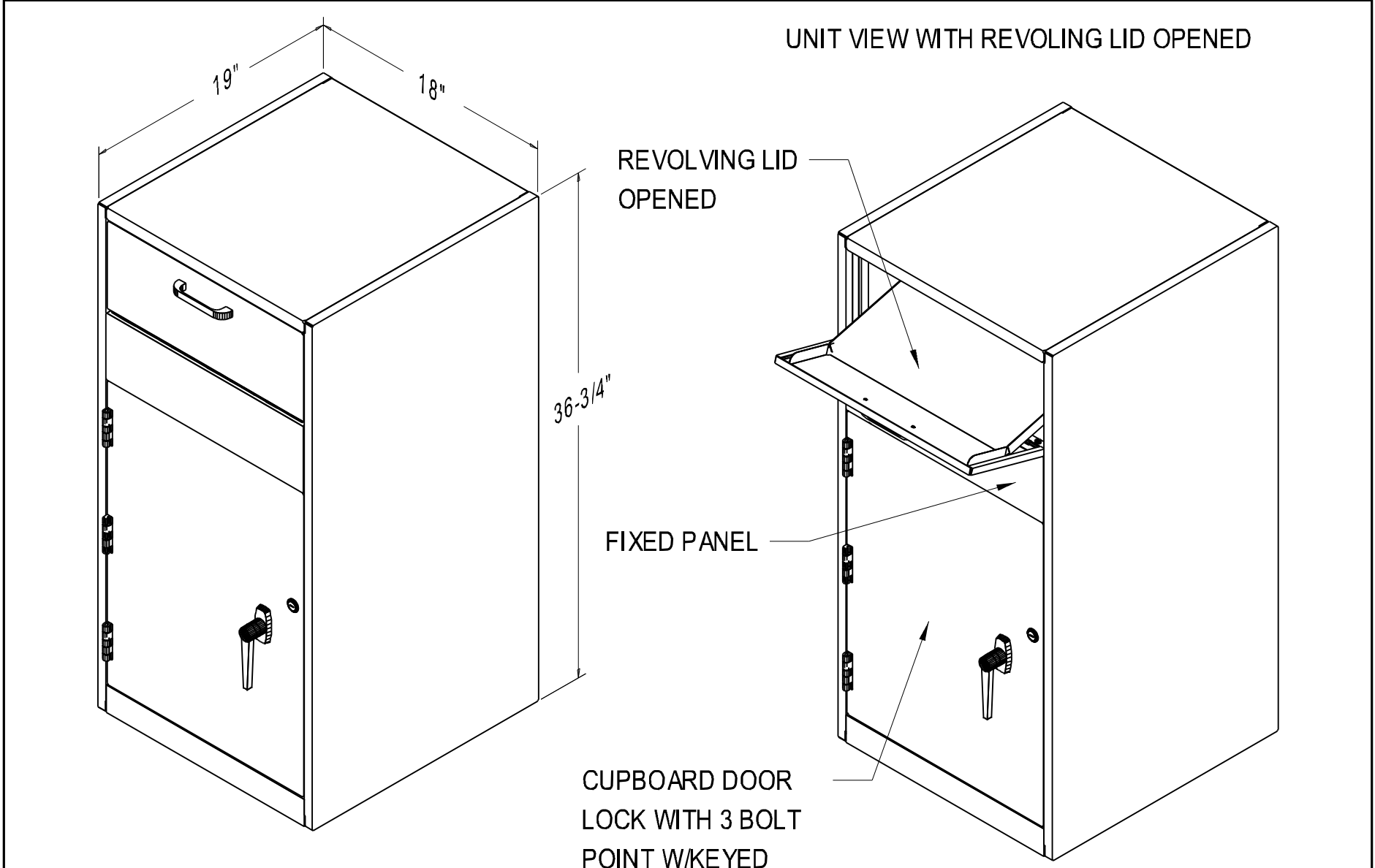
FIXED PANEL

CUPBOARD DOOR
WITH KABA V252 COMBO
AND 3 BOLT POINT
W/ KEYED L-HANDLE

Last Update: 06/15/07 - Bolton T.

Fenco
Undercounter & Forecounter Equipment
P.O. BOX 1238 BURLINGTON, NJ 08016-0516
www.fencobankequipment.com

PART NO.: .	TITLE: 227-19, PEDESTAL DEPOSITORY	USED BY:	SCALE: NTS	ORDER NO: -	PACKAGE SHEET: OF
SHEET: 1 OF: 2	18" W X 19" D X 36-3/4" H	DATE:	DRN BY: Bolton T. DATE: 12/07/04	CUSTOMER: FENCO	



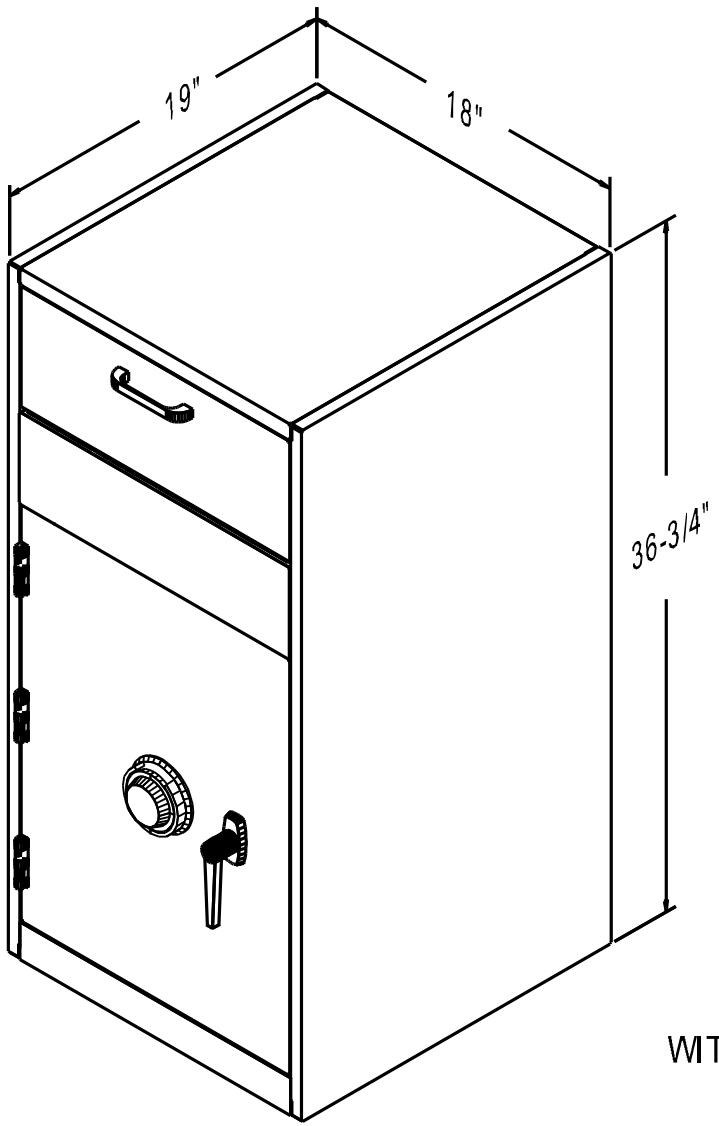
UNIT VIEW WITH REVOLING LID CLOSED
SEE SHEET 2 OF 2 FOR DETAIL

CUPBOARD DOOR
LOCK WITH 3 BOLT
POINT W/KEYED
L-HANDLE NO. C8747
STOCK LOCKS AND
NATIONAL LOCK

Last Update: 12/07/04- Bolton T.

Fenco
Undercounter & Forecounter Equipment
P.O. BOX 1238 BURLINGTON, NJ 08016-0516
www.fencobanquequipment.com

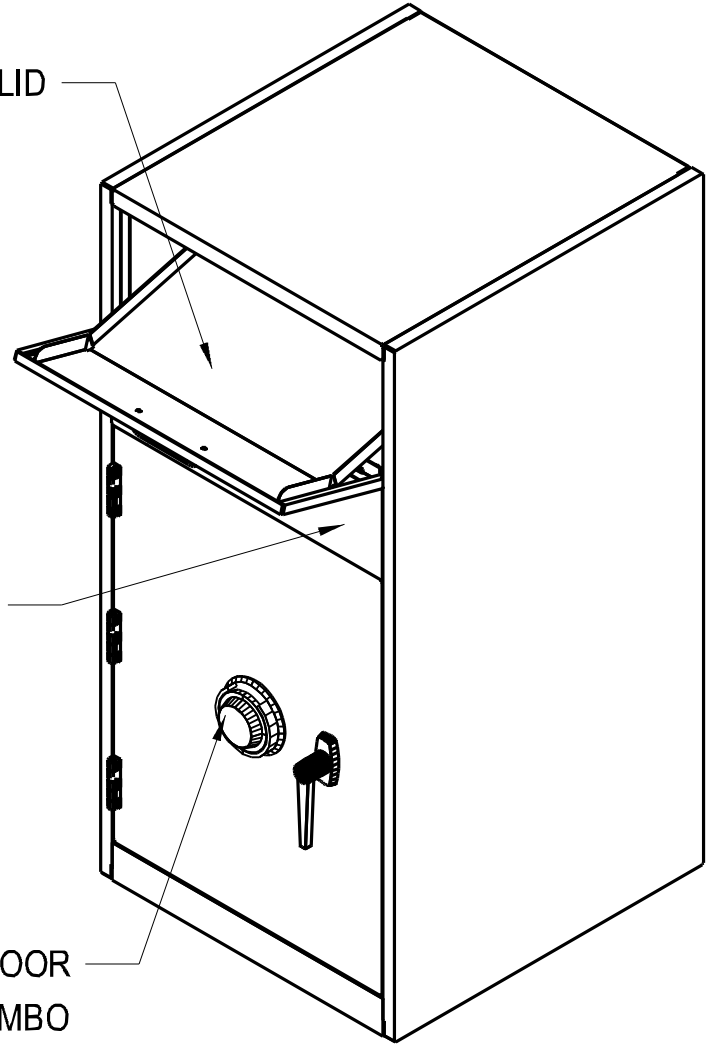
PART NO.: .	TITLE: 227-19, PEDESTAL DEPOSITORY 18" W X 19" D X 36-3/4" H	USED BY:	SCALE: NTS	ORDER NO: -	PACKAGE SHEET: OF
SHEET: 1 OF: 2		DATE:	DRN BY: Bolton T. DATE: 06/15/07	CUSTOMER: FENCO	



UNIT VIEW WITH REVOLING LID CLOSED
SEE SHEET 2 OF 2 FOR DETAIL

UNIT VIEW WITH REVOLING LID OPENED

REVOLING LID
OPENED



FIXED PANEL

CUPBOARD DOOR
WITH C1 MECH. COMBO
AND 3 BOLT POINT
W/ KEYED L-HANDLE

Last Update: 06/15/07 - Bolton T.

Fenco
Undercounter & Forecounter Equipment
P.O. BOX 1238 BURLINGTON, NJ 08016-0516
www.fencobankequipment.com