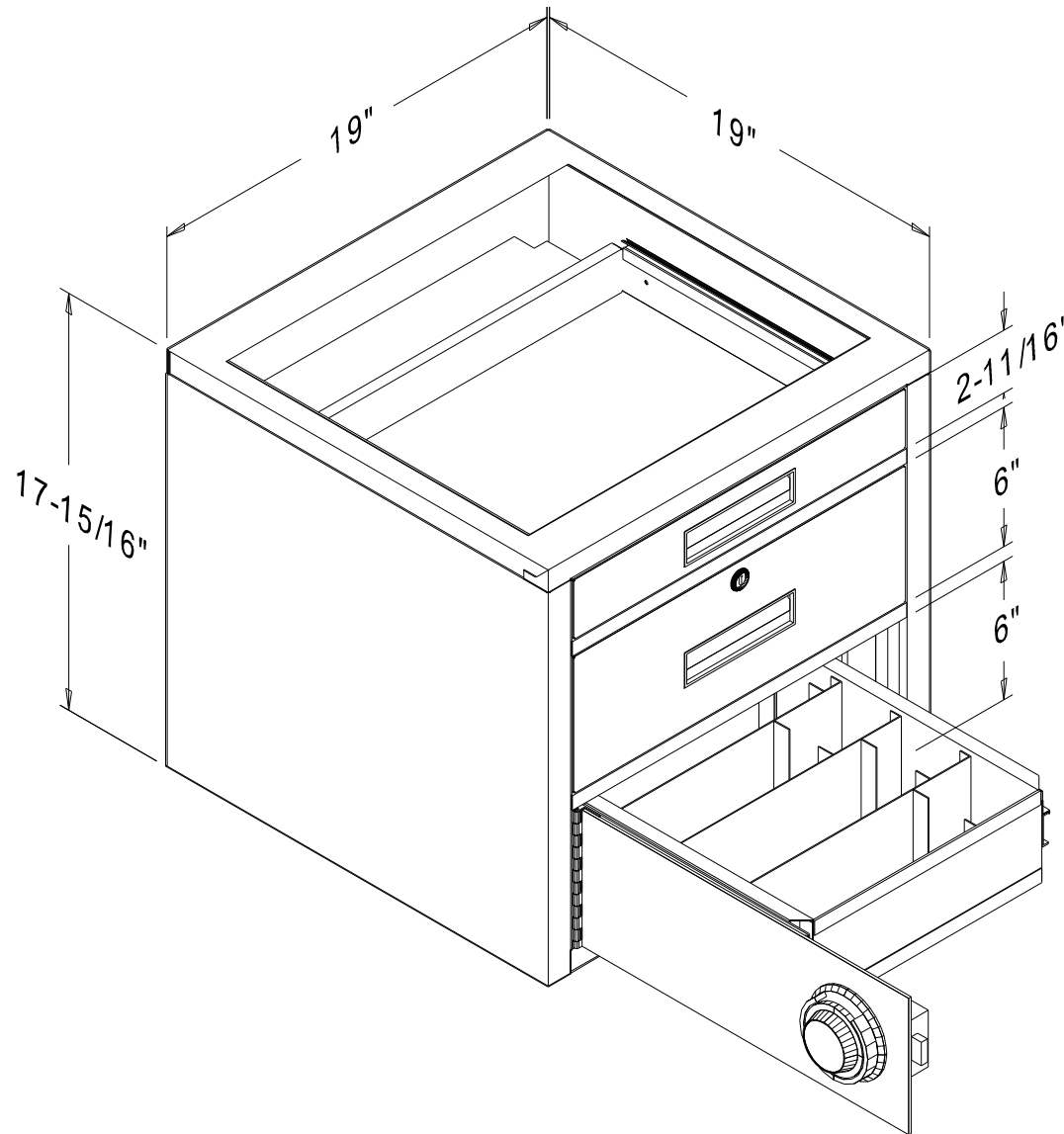


PART NO.:	TITLE: SP-34	USED BY:	SCALE: NTS	ORDER NO: -	PACKAGE SHEET: OF
SHEET: OF:		DATE:	DRN BY: Bolton T. DATE: 01/26/15	CUSTOMER: FENCO	



ONE PENCIL DRAWER OVER
ONE KEY-LOCKING BOX DRAWER
OVER ONE PULLOUT SHELF W/
ROLLED COIN TRAY BEHIND AN
1/8" STEEL PLATE LOCKER DOOR
EQUIPPED W/ GROUP II SPY PROOF
MECH. COMBO LOCK.

Last Update: 01/26/2015 - Bolton T.


Fenco
Undercounter & Forecounter Equipment
P.O. BOX 1238 BURLINGTON, NJ 08016-0516
www.fencobankequipment.com