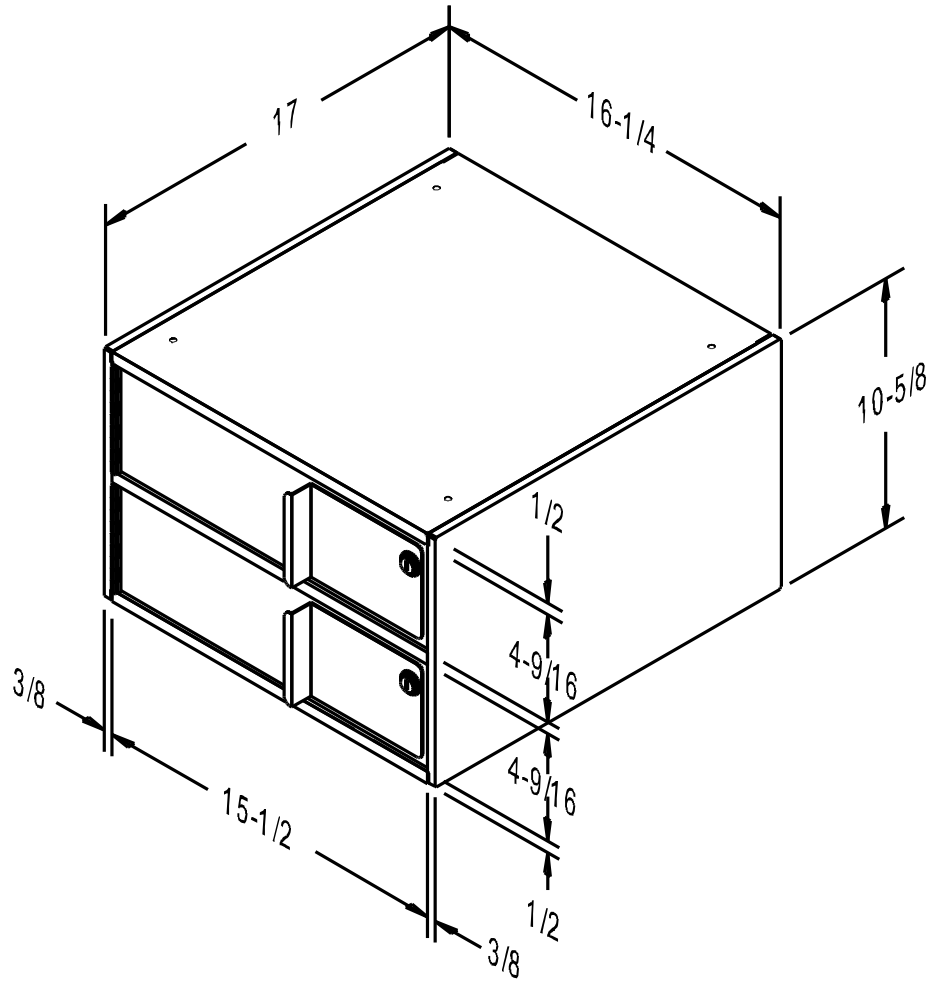


PART NO.:	TITLE: 2202-17	USED BY: Bolton T.	SCALE: NTS	ORDER NO.:	PACKAGE SHEET: OF
SHEET: OF:	VAULT & SAFE INTERIORS	DATE:	DRN BY: Bolton T. DATE: 02/10/05	CUSTOMER:	

WT: 32 LBS



SINGLE WIDTH, ( 2 ) TELLER LOCKERS,  
16-1/4" W x 10-5/8" H x 17" D

ALL VSI MODELS ARE OFFERED IN 24" DEPTH

Last Update: - 11/15/07: Bolton T.

**Fenco**  
 Undercounter & Forecounter Equipment  
 P.O. BOX 1238 BURLINGTON, NJ 08016-0516  
 www.fencobankequipment.com