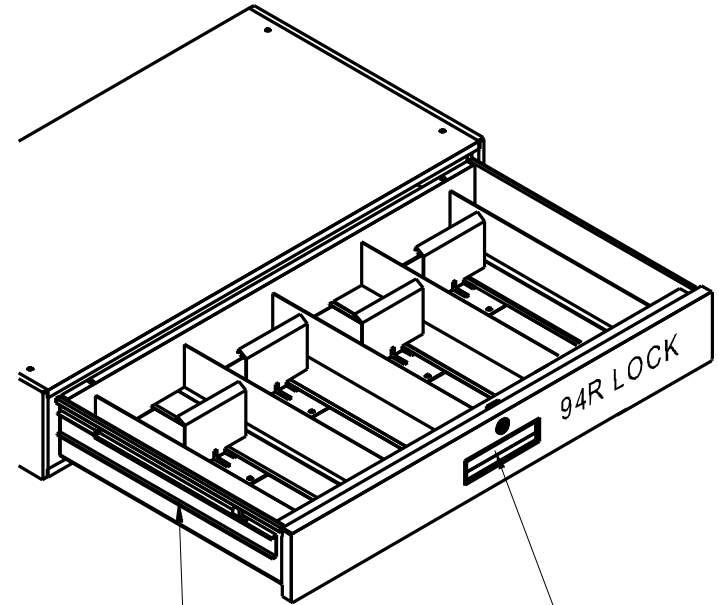
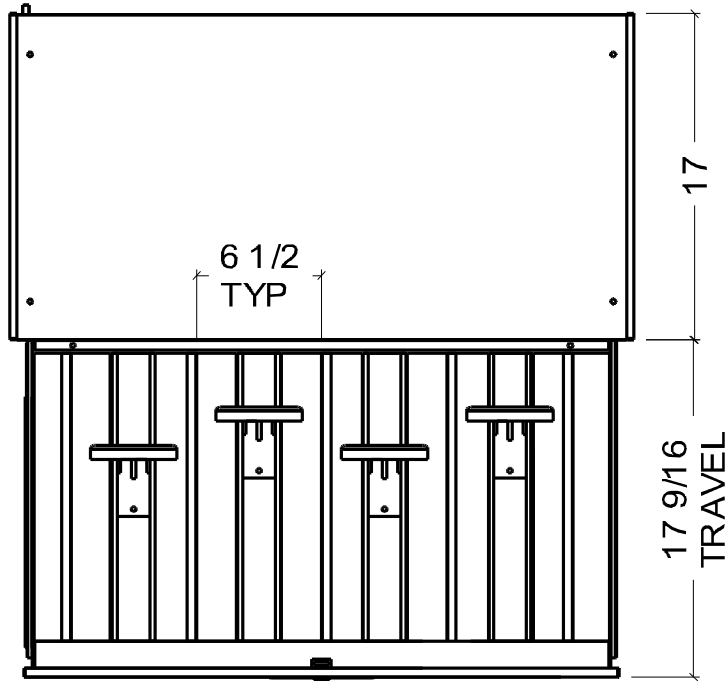
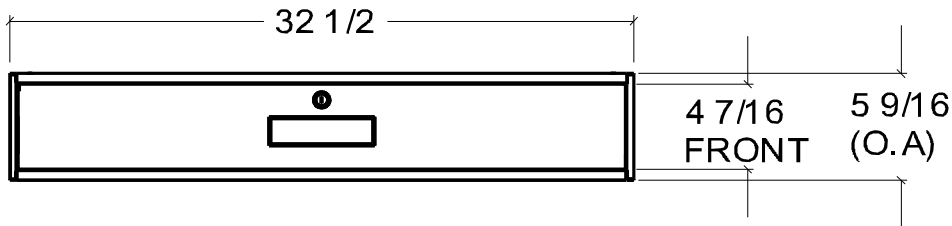


PART NO.: -	TITLE: 32-1/2" CURRENCY DRAWER (94R, VSI MATE)	USED BY:	SCALE: NTS	ORDER NO.: -	PACKAGE SHEET: OF
SHEET: OF:		DATE:	DRN BY: Bolton T. DATE: 11/26/07	CUSTOMER: FENCO	



16" ACCURITE
STD SLIDE

S/S DRAWER FACE
W/ PLASTIC
RECESSED
HANDLE



Last Update: 02/12/2008 - Bolton T.

Fenco
 Undercounter & Forecounter Equipment
 P.O. BOX 1238 BURLINGTON, NJ 08016-0516
 www.fencobankequipment.com