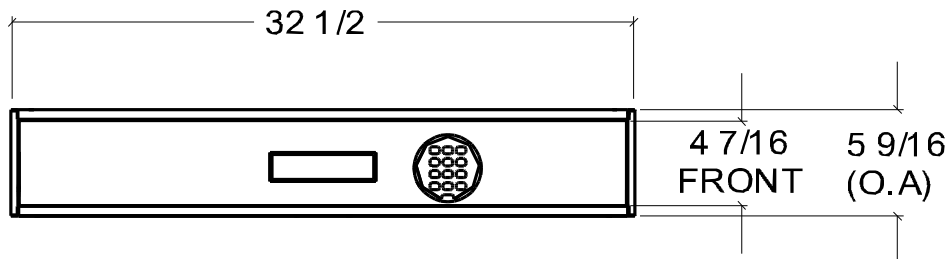
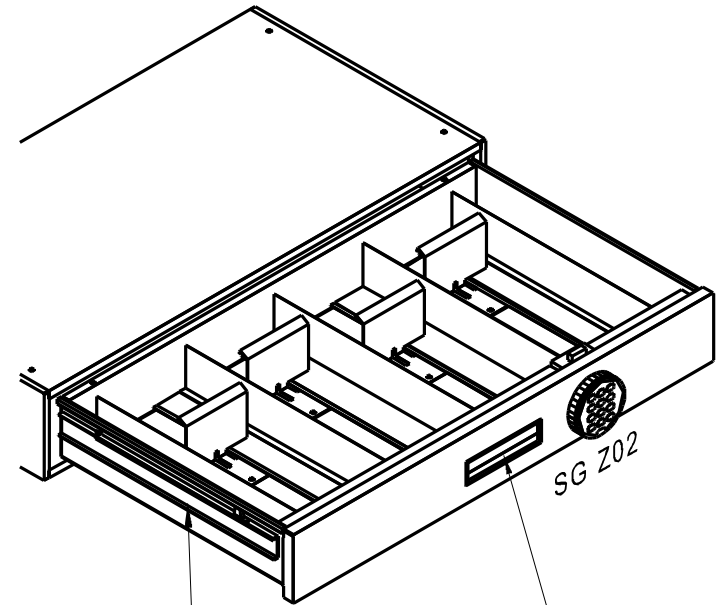
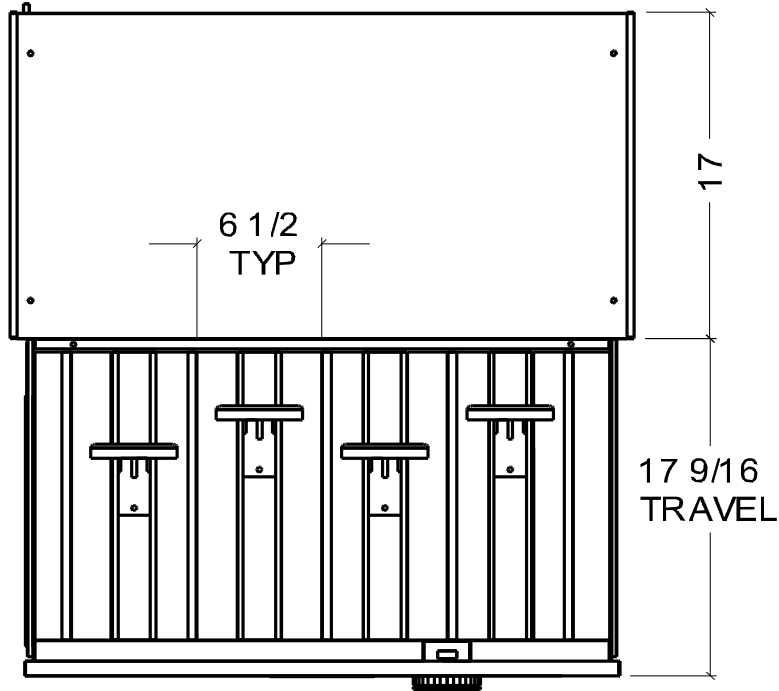


PART NO.: -	TITLE: 32-1/2" CURRENCY DRAWER (COMBO LOCK, VSI MATE)	USED BY:	SCALE: NTS	ORDER NO: -	PACKAGE SHEET: OF
SHEET: OF:		DATE:	DRN BY: Bolton T. DATE: 11/26/07	CUSTOMER: FENCO	



Last Update: 11/26/2007 - Bolton T.



Fenco
Undercounter & Forecounter Equipment
P.O. BOX 1238 BURLINGTON, NJ 08016-0516
www.fencobankequipment.com