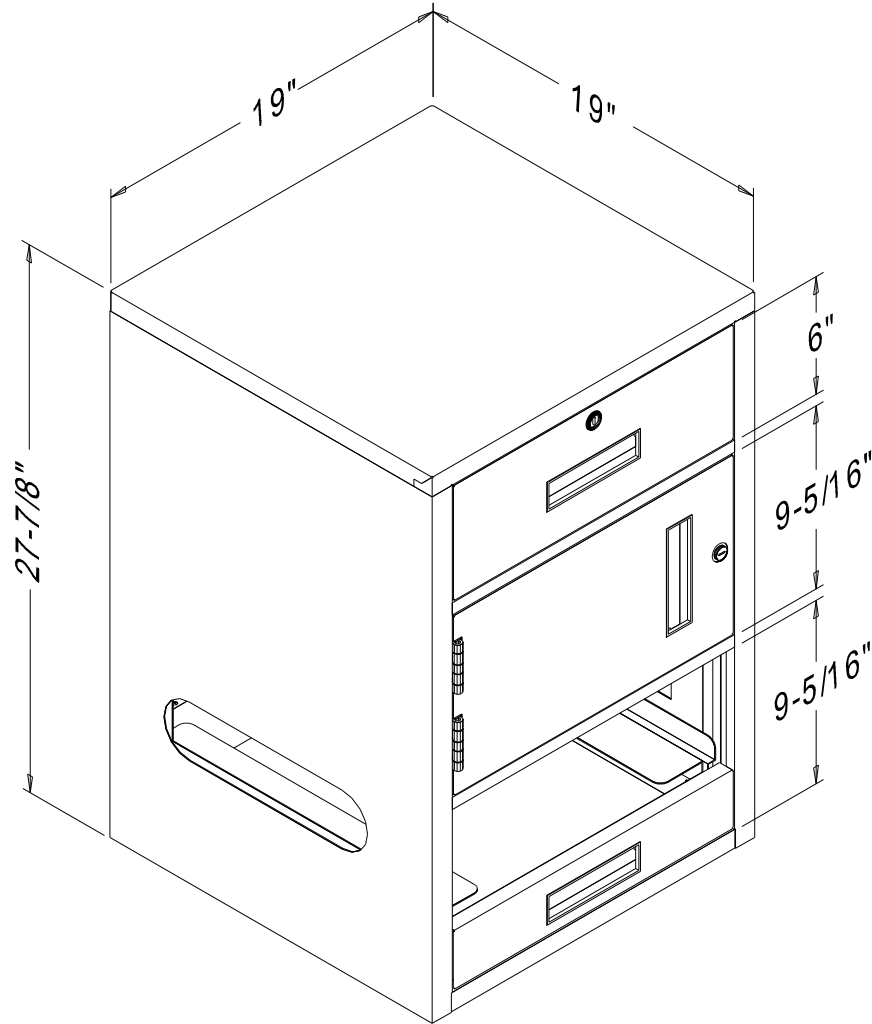


PART NO:	TITLE: S618-19	USED BY:	SCALE:	ORDER NO. -	PACKAGE SHEET: OF
SHEET: OF		DATE:	DRN BY: Bolton T. DATE: 01/26/15	CUSTOMER: FENCO	



A KEY-LOCKING BOX DRAWER
OVER A KEY LOCKING
CUPBOARD DOOR, OVER A
VENTILATED CPU COMPARTMENT
W/ A PULL-OUT CPU SHELF.

Last Update: 01/26/2015 - Bolton T.

	Fenco
	Undercounter & Forecounter Equipment
	P.O. BOX 1238 BURLINGTON, NJ 08016-0516
	www.fencobankequipment.com