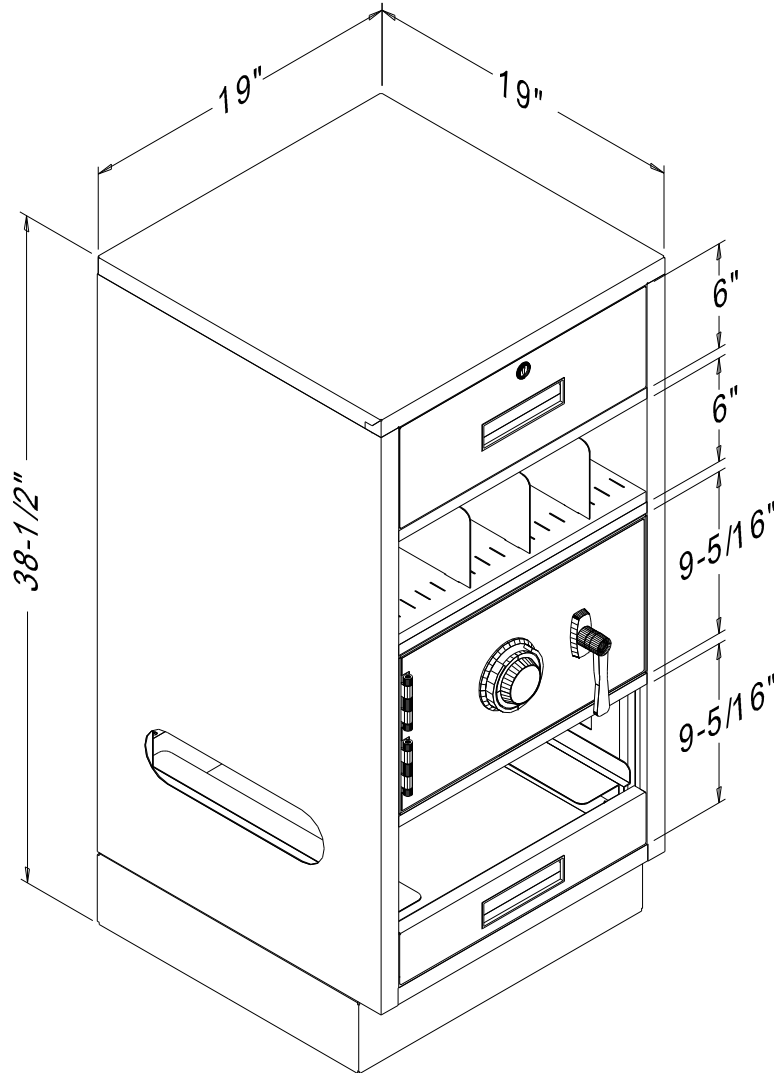


PART NO:	TITLE: S219-19	USED BY:	SCALE:	ORDER NO. -	PACKAGE SHEET: OF
SHEET: OF		DATE:	DRN BY: Bolton T. DATE: 01/26/15	CUSTOMER: FENCO	



A KEY-LOCKING BOX DRAWER OVER A P-51 FORMS HOLDER W/ 3 ADJUSTABLE DIVIDERS OVER ONE 1/4" THICK FRAME LOCKER BEHIND A 1/2" THICK STEEL PLATE DOOR EQUIPPED W/ A GROUP II SPY PROOF MECH. COMBO LOCKOVER A VENTILATED CPU COMPARTMENT W/ A PULL-OUT CPU SHELF.

Last Update: 01/26/2015 - Bolton T.



Fenco
Undercounter & Forecounter Equipment
P.O. BOX 1238 BURLINGTON, NJ 08016-0516
www.fencobankequipment.com