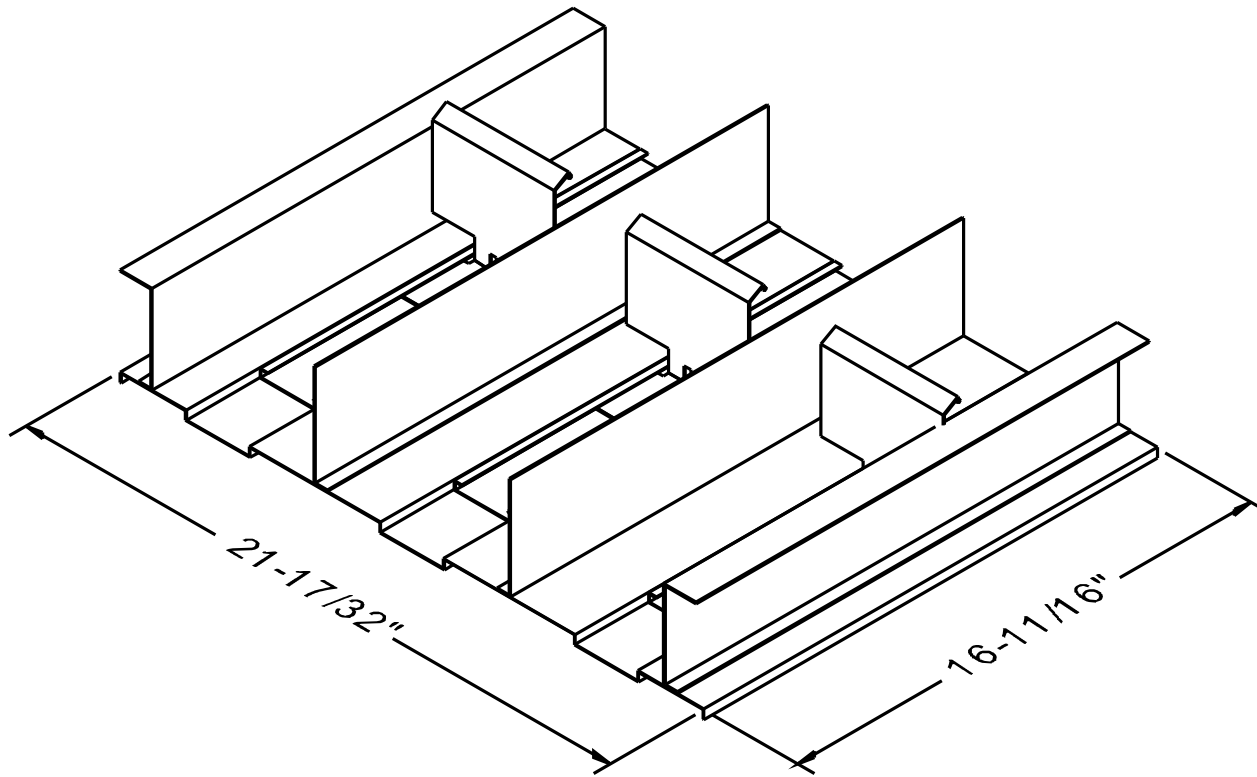


PART NO:	TITLE:	USED BY:	SCALE:	ORDER NO.	PACKAGE SHEET: OF
SHEET: OF	P- 8 INSERT (4 X 6 CARD)	DATE:	DRN BY: Bolton T. DATE: 07/14/04	CUSTOMER: FENCO	



Card Insert, 3 Compartment for use with 4" x 6" Cards in 24"W Pedestal Drawers - 21-17/32"W x 16-11/16"D

Last Update: 12/11/2007 - Bolton T.

	Fenco
	Undercounter & Forecounter Equipment
	P.O. BOX 1238 BURLINGTON, NJ 08016-0516 www.fencobankequipment.com