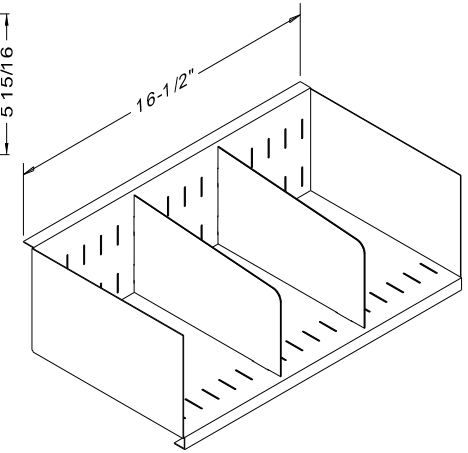
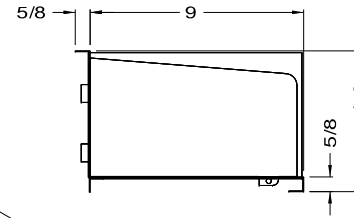
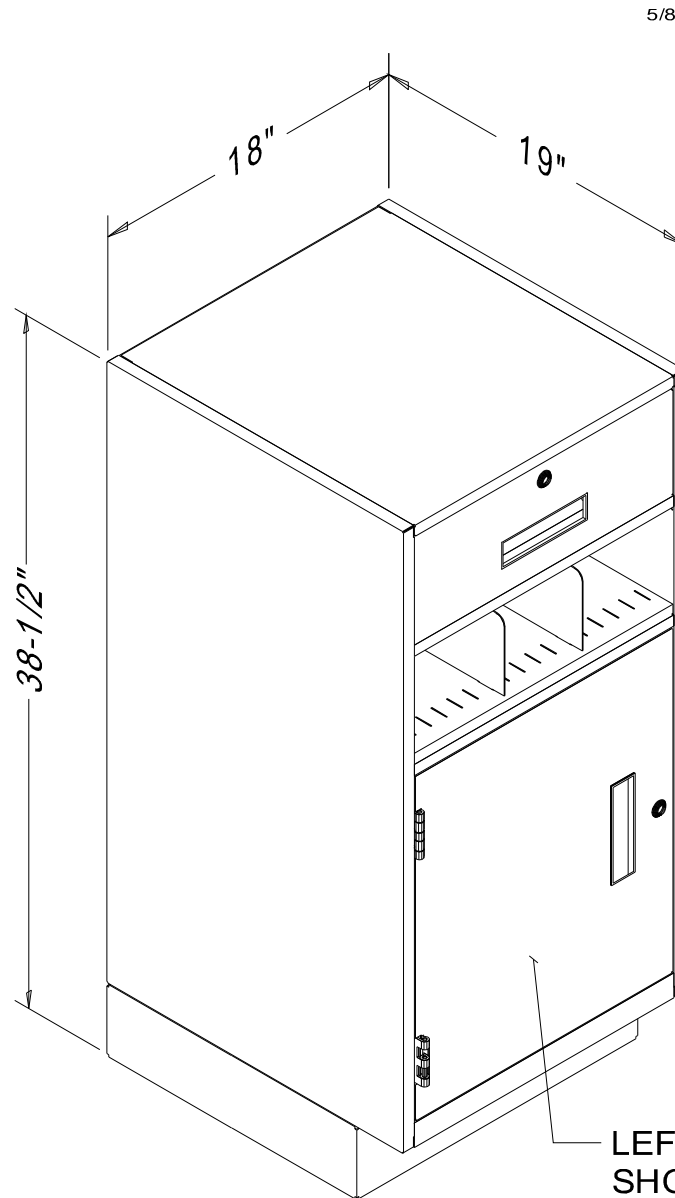


PART NO:	TITLE:	USED BY:	SCALE:	ORDER NO. -	PACKAGE SHEET: OF
SHEET: OF	204-19 W/P-51	DATE:	DRN BY: Bolton T. DATE: 12/20/04	CUSTOMER: FENCO	

QTY: - (RIGHT)
QTY: - (LEFT)



Knee Space Housing consists of
P-24 Housing INSTALLED TO
REPLACE THE BOX DRAWER
OF ANY CABINET

LEFT SWING DOOR
SHOWN
(OPP FOR RIGHT)

Last Update: 12/11/2007 - Bolton T.



Fenco
Undercounter & Forecounter Equipment
P.O. BOX 1238 BURLINGTON, NJ 08016-0516
www.fencobankequipment.com