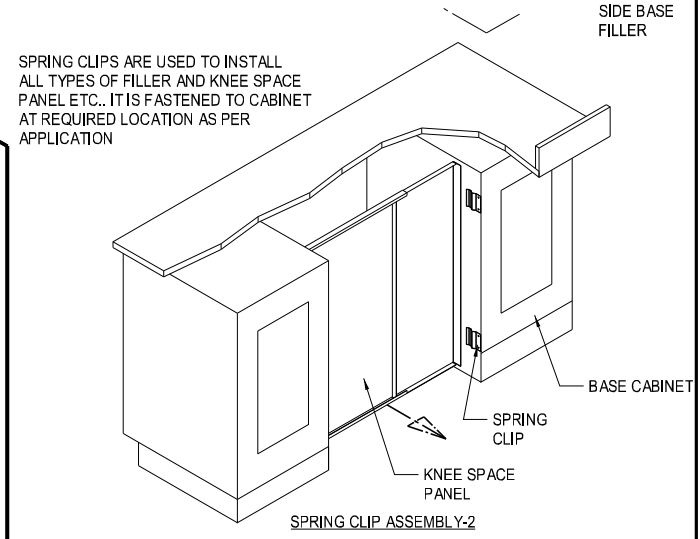
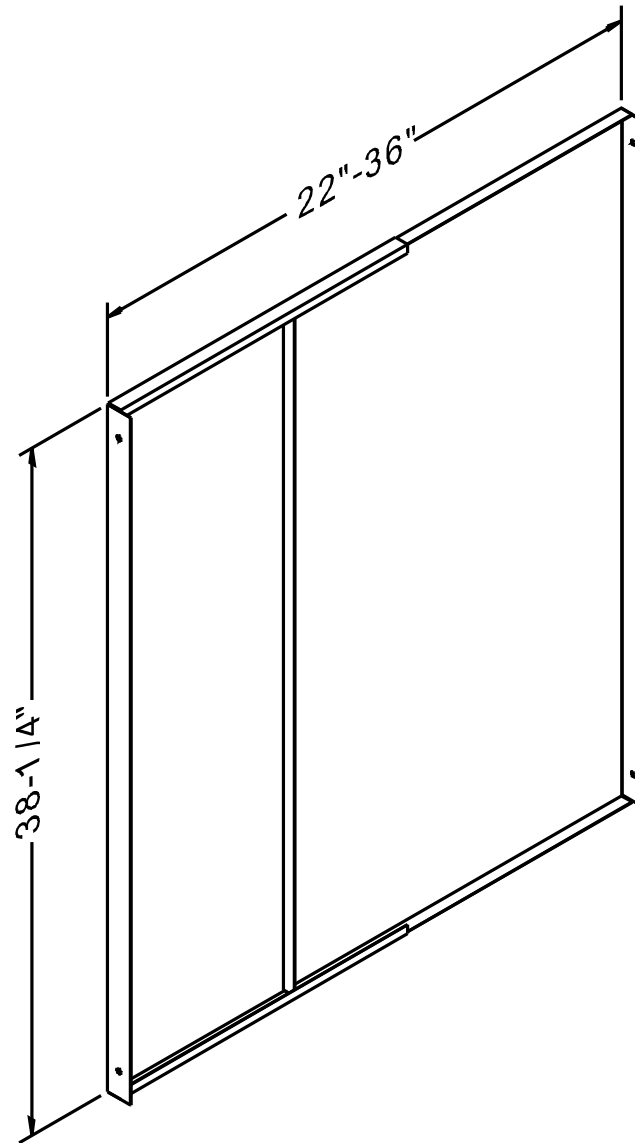


PART NO.:	TITLE:	USED BY:	SCALE: NTS	ORDER NO.:	PACKAGE SHEET: OF
SHEET: OF:	P- 28, ADJUSTABLE KNEESPACE PANEL	DRN BY: Bolton T.	DATE: 09/05/03	CUSTOMER: FENCO	

Adjustable Knee Space Back  
 Panel 18-3/4" to 36"W -  
 38-1/4"H - INCLUDES  
 SPRING CLIPS TO  
 MOUNT.



Last Update: 12/12/2007 - Bolton T.

**Fenco**  
 Undercounter & Forecounter Equipment  
 P.O. BOX 1238 BURLINGTON, NJ 08016-0516  
 www.fencobankequipment.com