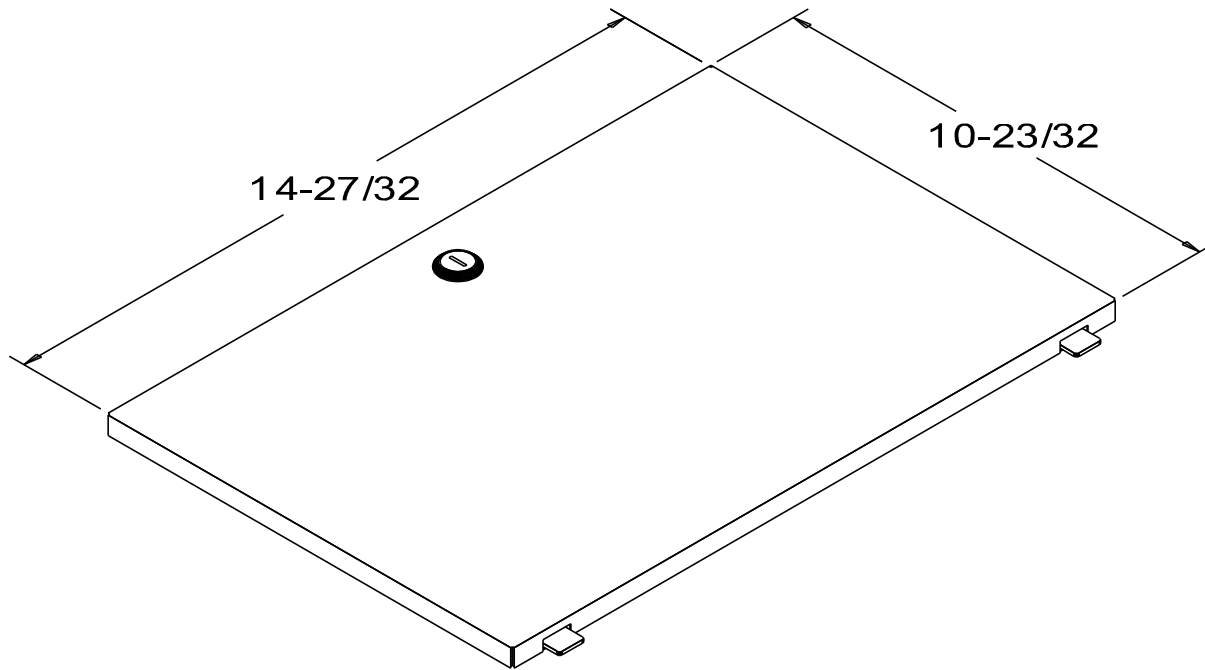


PART NO:	TITLE: P-19-16, LOCKING LID	USED BY:	SCALE:	ORDER NO.:	PACKAGE SHEET: OF
SHEET: OF		DATE:	DRN BY: Bolton T. DATE: 08/03/06	CUSTOMER: FENCO	



Last Update: 08/03/2006 by Bolton T..

