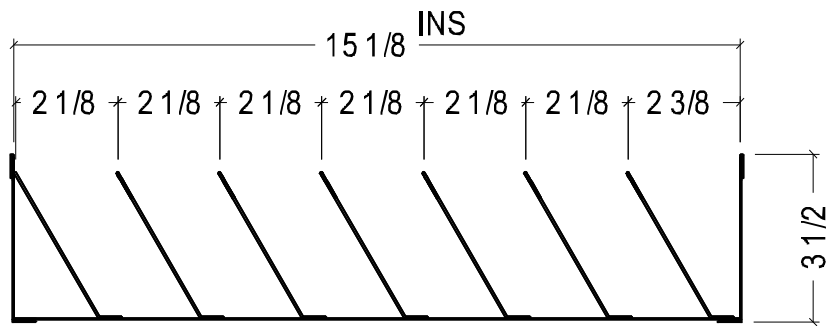
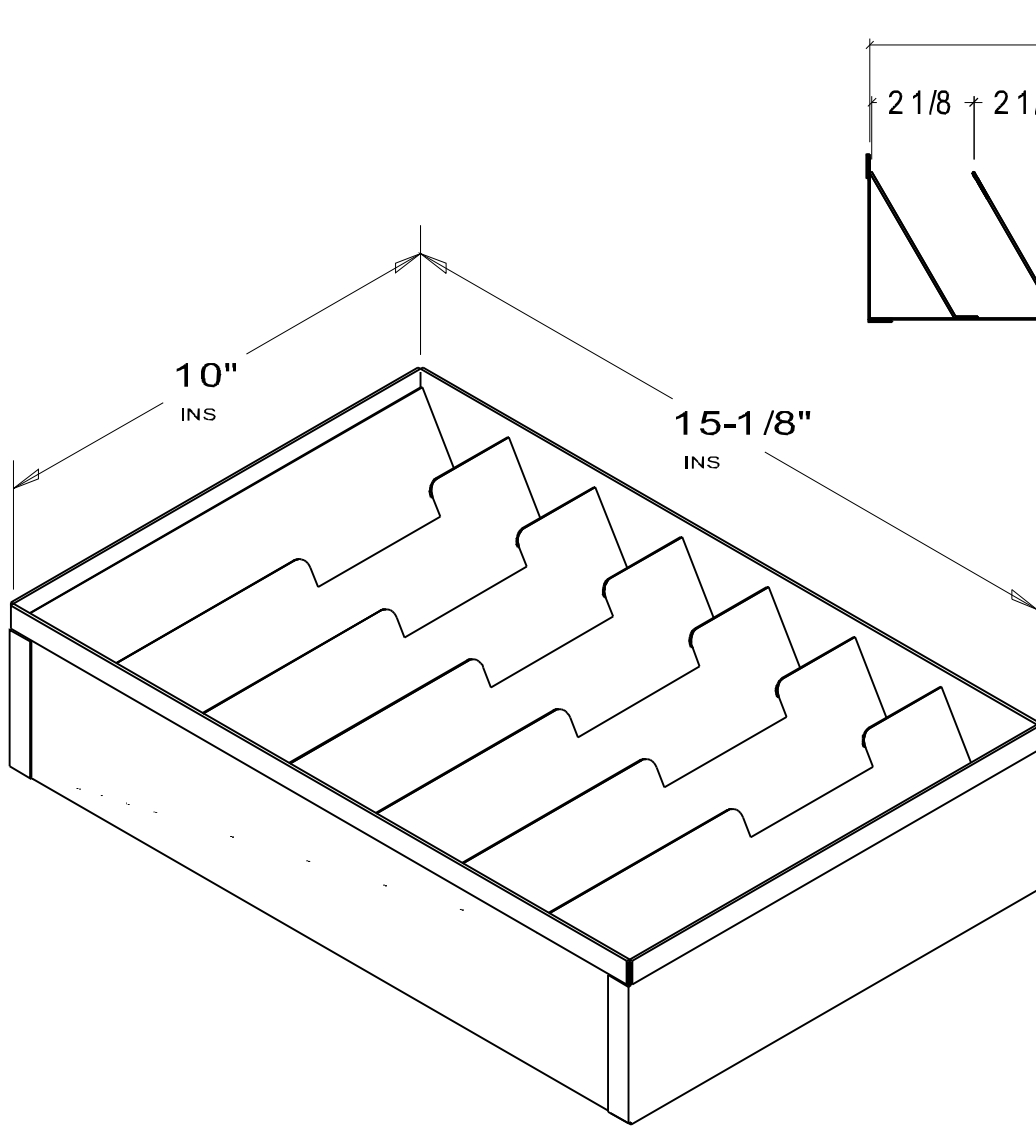


PART NO.:	TITLE: P- 15, SORTER TRAY	USED BY: Bolton T.	SCALE: NTS	ORDER NO: -	PACKAGE SHEET: OF
SHEET: OF:		DATE:	DRN BY: Bolton T. DATE: 02/10/05	CUSTOMER: FENCO	



**OUTSIDE DIM:**

10-1/16" x 15-3/16" x 3-1/2"

Last Update: 11/18/2005 - Bolton T.

Seven Compartment Sorter Tray - Previously used for Citizen's and Melon Banks -  
10-1/16"W x 15-3/16"D x 3.5"H

**Fenco**  
Undercounter & Forecounter Equipment  
P.O. BOX 1238 BURLINGTON, NJ 08016-0516  
www.fencobankequipment.com