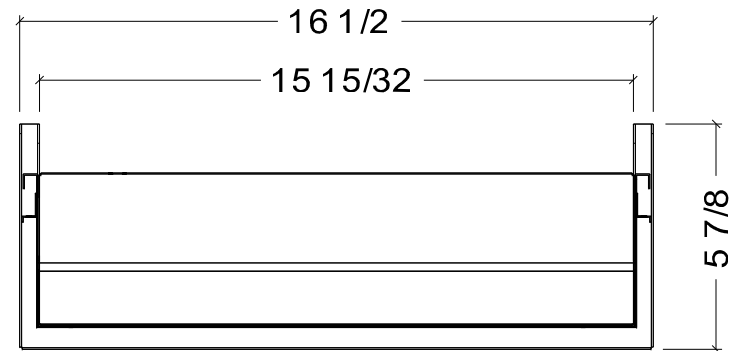
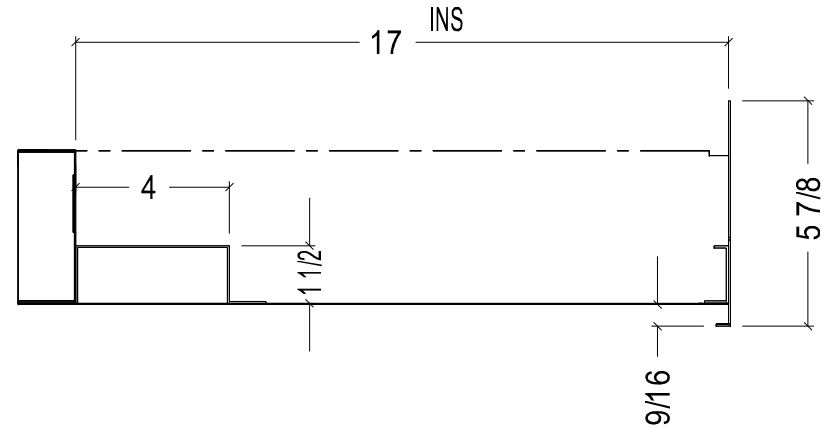
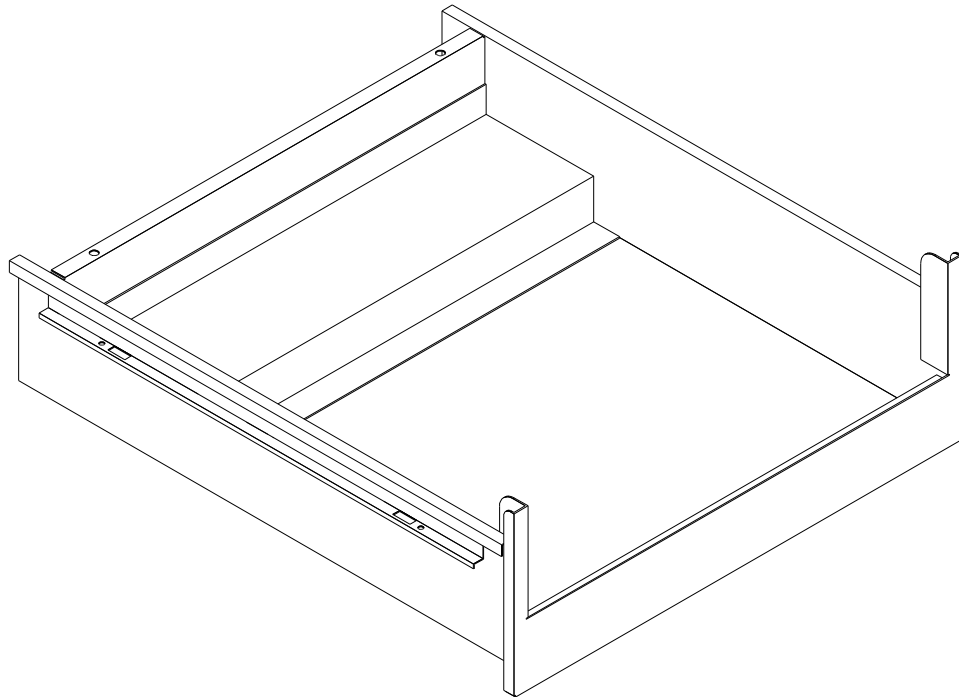


PART NO:	TITLE: P-111'S CARRIAGE ASSEMBLY	USED BY:	SCALE:	ORDER NO. -	PACKAGE SHEET: OF
SHEET: OF		DATE:	DRN BY: Bolton T. DATE: 07/19/05	CUSTOMER: FENCO	



CRADLE TO CONVERT ANY DRAWER
OVER TO AN RCD DRAWER TO
ACCEPT THE MODEL P-111

Last Update: 07/19/05 by Bolton T..



UNITED HOSPITAL SUPPLY CORP.

P.O. BOX 1238 BURLINGTON, NJ 08016-0516