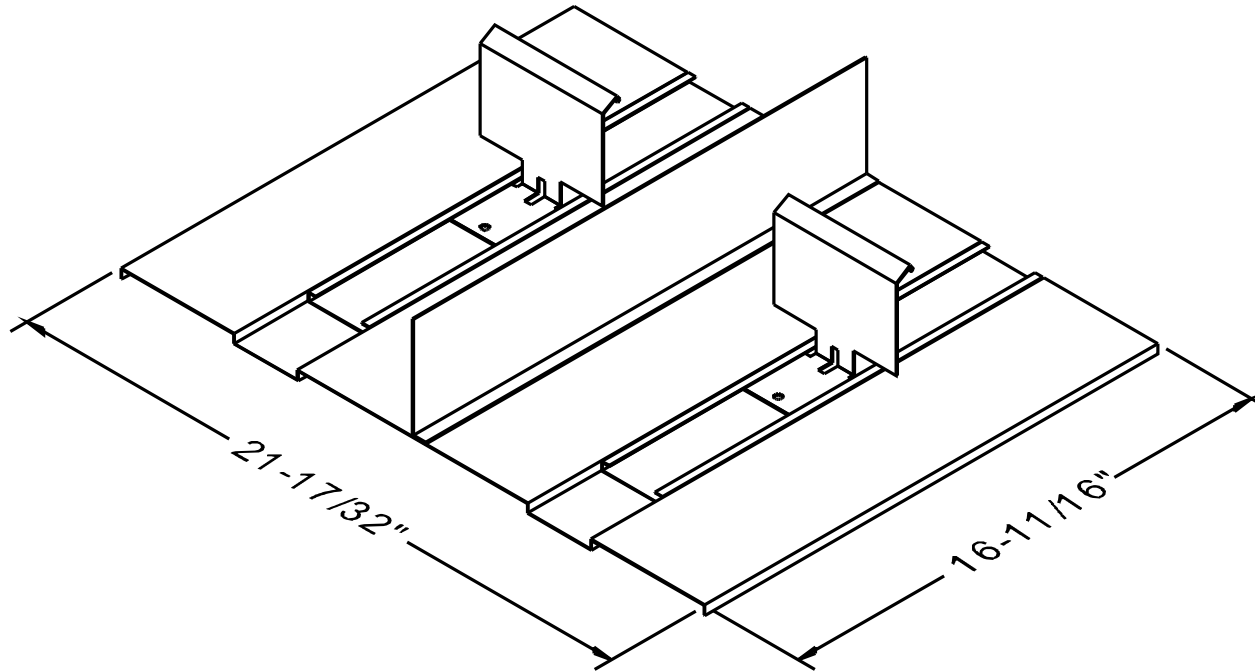


PART NO:	TITLE:	USED BY:	SCALE:	ORDER NO.:	PACKAGE SHEET: OF
SHEET: OF	P-10 INSERT ( 4 X 10.5 CARD )	DATE:	DRN BY: Bolton T.	CUSTOMER: FENCO	
			DATE: 07/14/04		



Card Insert, 2 Compartment for use with 4" x 10-1/2" Cards in 24"W  
Pedestal Drawers - 21-17/32"W x 16-11/16"D

Last Update: 12/11/2007 - Bolton T.

	<b>Fenco</b>
	Undercounter & Forecounter Equipment
	P.O. BOX 1238 BURLINGTON, NJ 08016-0516
	<a href="http://www.fencobankequipment.com">www.fencobankequipment.com</a>