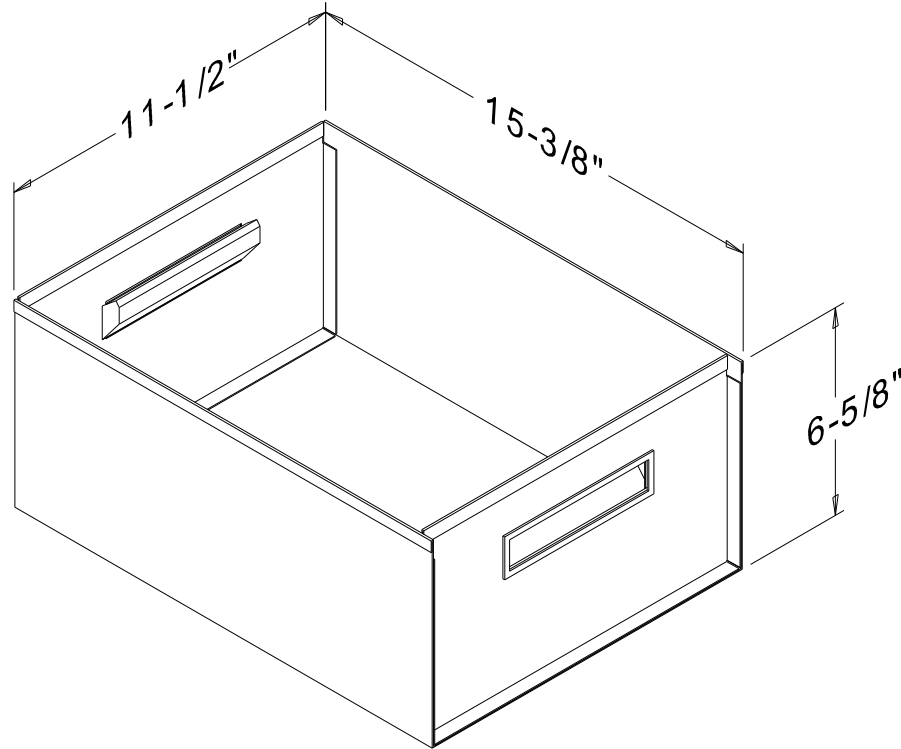


PART NO:	TITLE:	USED BY:	SCALE:	ORDER NO. -	PACKAGE SHEET: OF
SHEET: OF	P-1 - BUCKET	DATE:	DRN BY: Bolton T. DATE: 04/04/08	CUSTOMER: FENCO	



Last Update: 05/09/2009 - Bolton T.



Fenco

Undercounter & Forecounter Equipment

P.O. BOX 1238 BURLINGTON, NJ 08016-0516

www.fencobankequipment.com