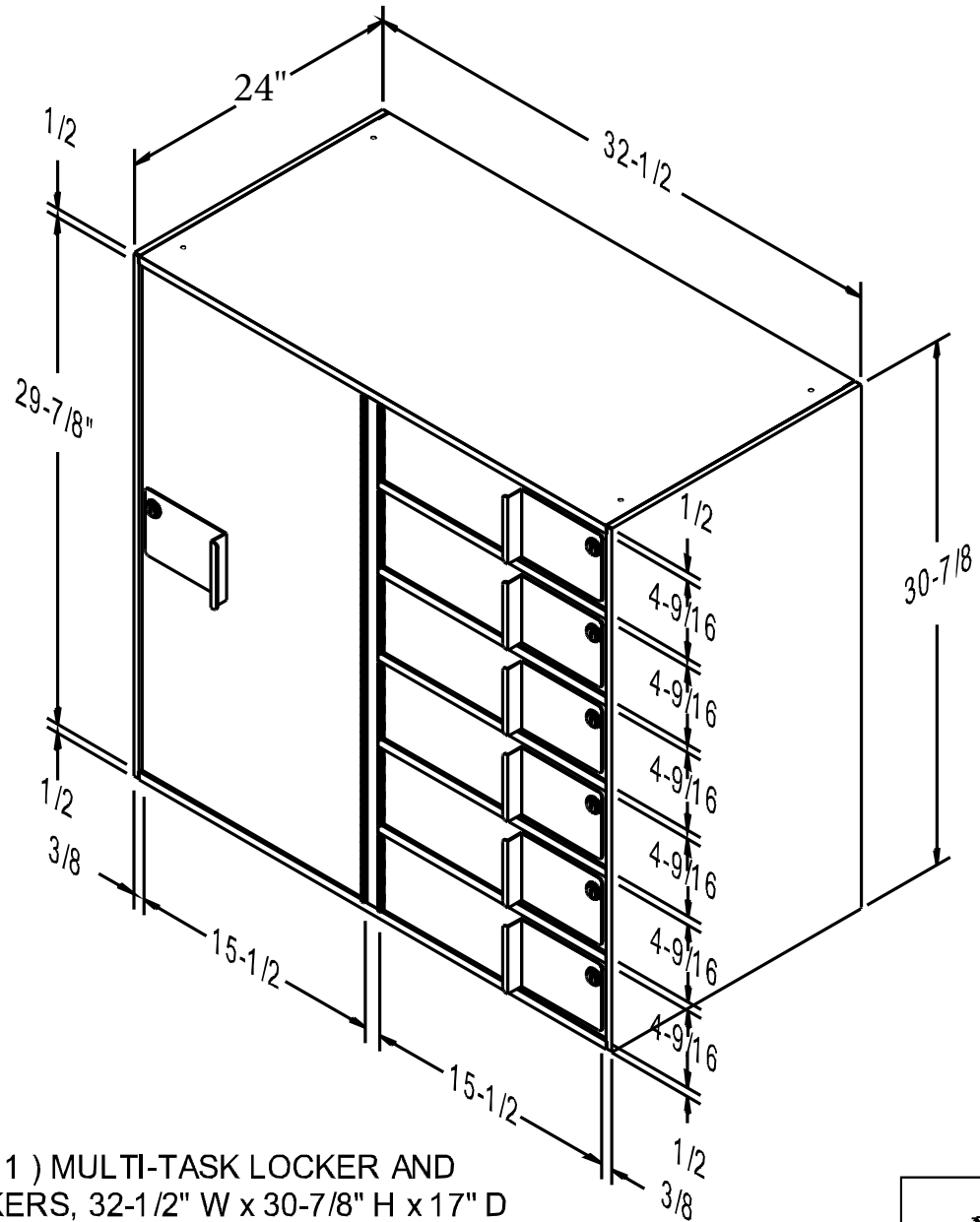


PART NO.:	TITLE: 3607-24	USED BY: Bolton T.	SCALE: NTS	ORDER NO:	PACKAGE SHEET: OF
SHEET: OF:	VAULT & SAFE INTERIORS	DATE:	DRN BY: Bolton T. DATE: 01/05/05	CUSTOMER:	

WT: 157 LBS



DOUBLE WIDTH, ( 1 ) MULTI-TASK LOCKER AND  
( 6 ) TELLER LOCKERS, 32-1/2" W x 30-7/8" H x 17" D

ALL VSI MODELS ARE OFFERED IN 24" DEPTH

Last Update: - 11/15/07: Bolton T.

**Fenco**  
Undercounter & Forecounter Equipment  
P.O. BOX 1238 BURLINGTON, NJ 08016-0516  
www.fencobankequipment.com