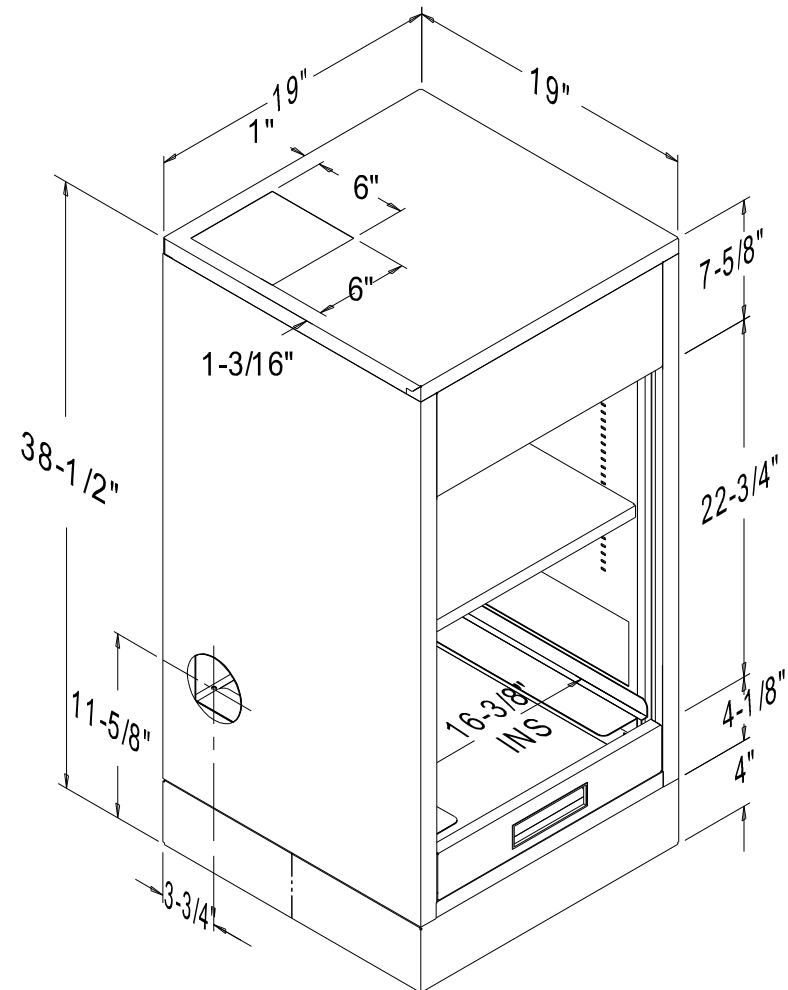
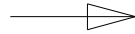
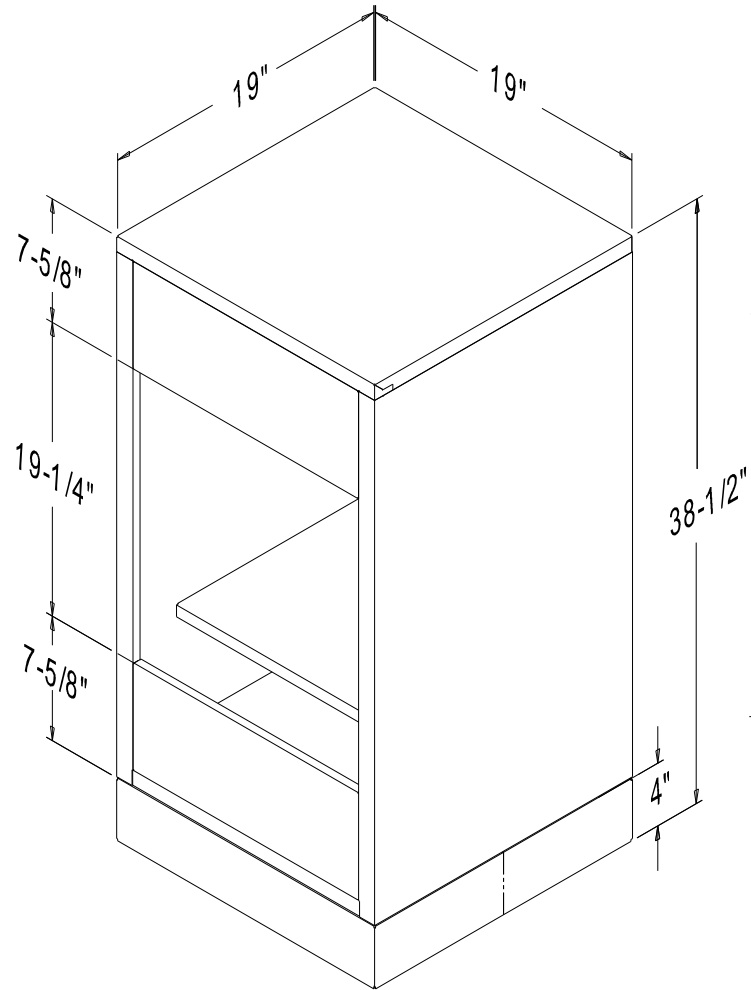


PART NO:	TITLE: 226 TO 226-19-CPU	USED BY:	SCALE:	ORDER NO. -	PACKAGE SHEET: OF
SHEET: OF		DATE:	DRN BY: Bolton T. DATE: 03/10/10	CUSTOMER: FENCO	



Last Update: 03/10/2010 - Bolton T.


Fenco
 Undercounter & Forecounter Equipment
 P.O. BOX 1238 BURLINGTON, NJ 08016-0516
www.fencobankequipment.com