

PART NO.:

TITLE:

S-204 TO S-204 BUS

USED BY: Bolton T.

SCALE: NTS

ORDER NO: -

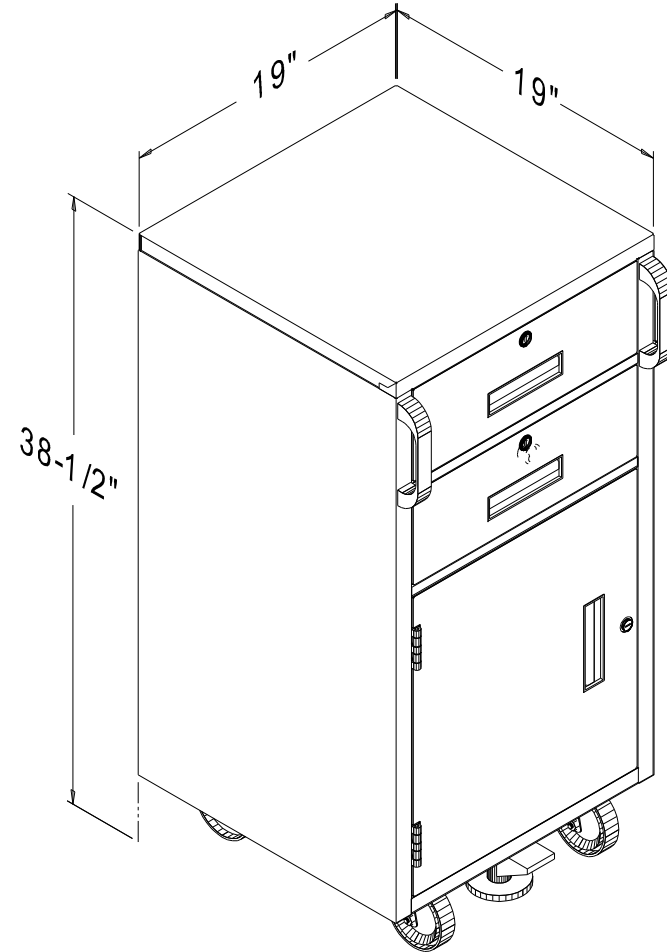
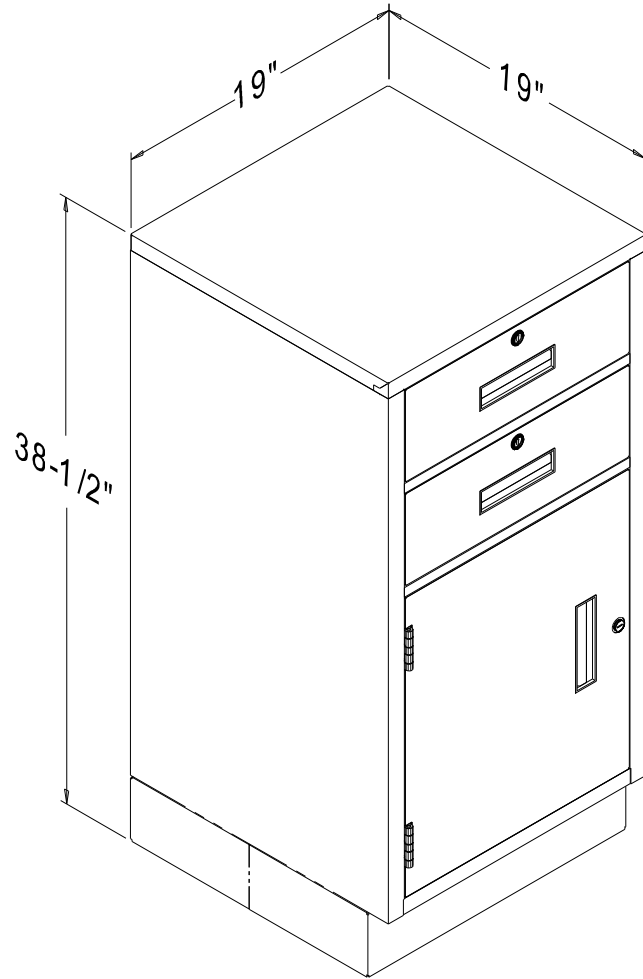
PACKAGE SHEET: OF

SHEET: OF:

DATE:

DRN BY: Bolton T.
DATE: 09/14/12

CUSTOMER: FENCO



Last Update: 09/14/12 - Bolton T.



Fenco

Undercounter & Forecounter Equipment

P.O. BOX 1238 BURLINGTON, NJ 08016-0516

www.fencobankequipment.com