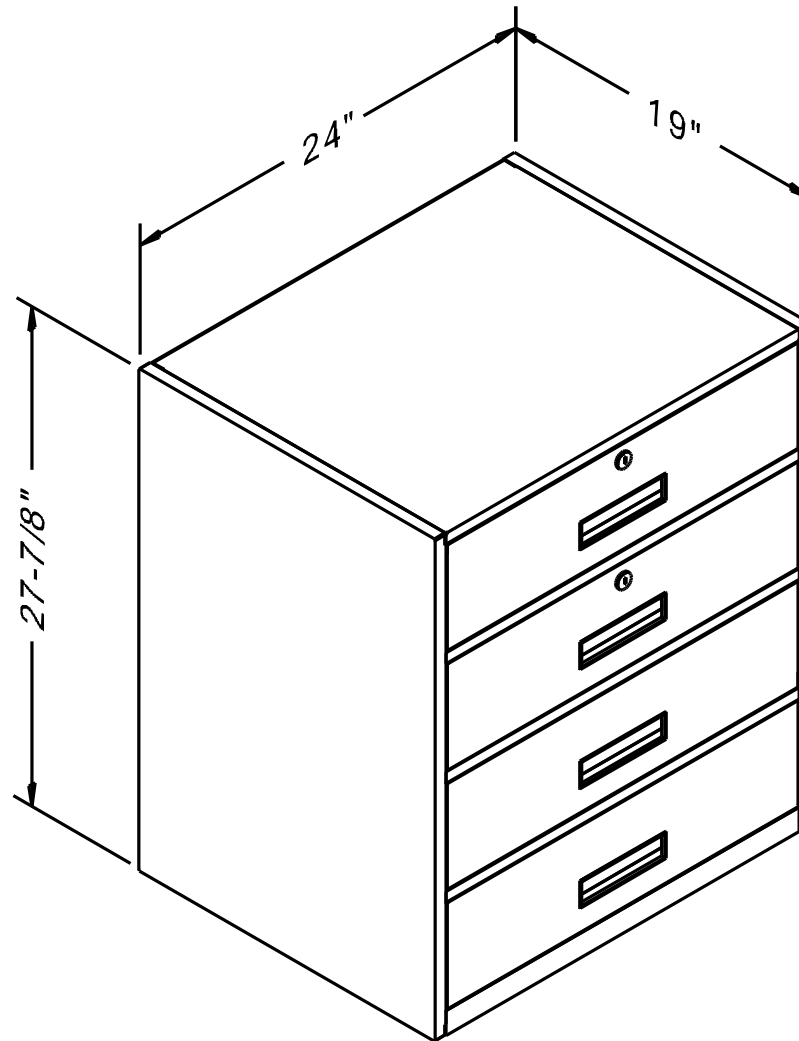


| | | | | | |
|-----------|--------|----------|-------------------------------------|-----------------|-------------------|
| PART NO: | TITLE: | USED BY: | SCALE: | ORDER NO.: | PACKAGE SHEET: OF |
| SHEET: OF | 643-19 | DATE: | DRN BY: BOLTON T. DATE: 01/12/06 | CUSTOMER: FENCO | |



Last Update: 12/11/2007 - Bolton T.


Fenco
 Undercounter & Forecounter Equipment
 P.O. BOX 1238 BURLINGTON, NJ 08016-0516
www.fencobankequipment.com