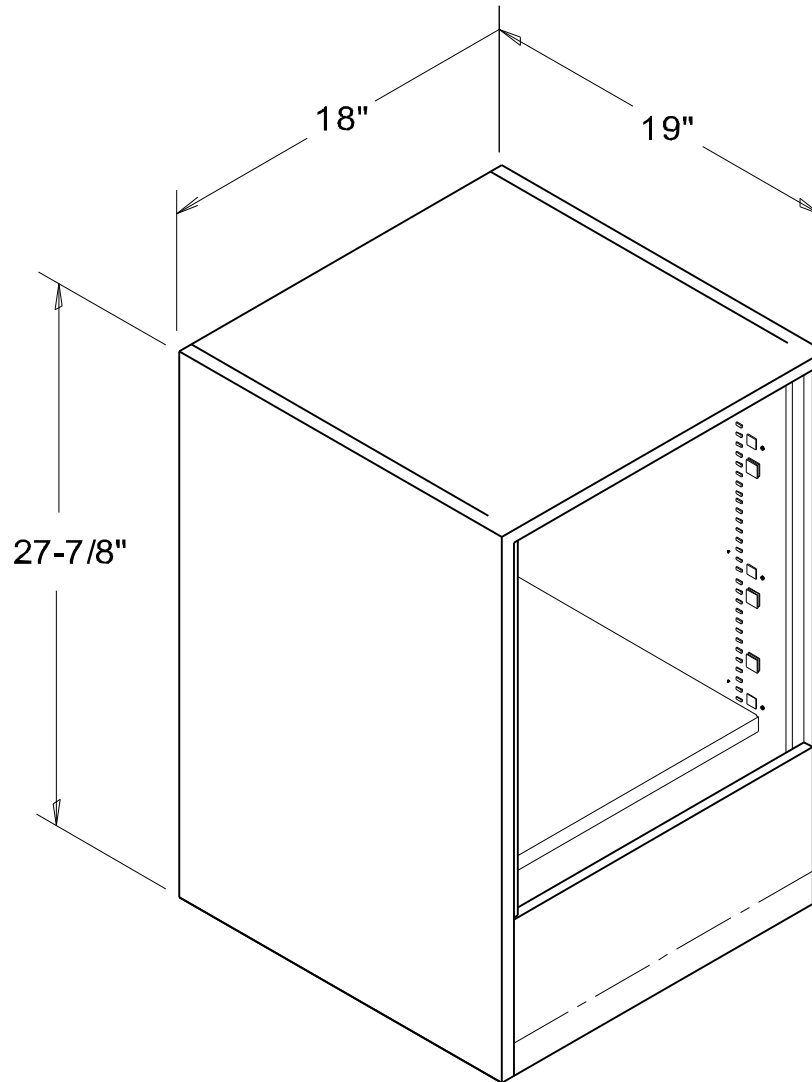


PART NO:	TITLE: <b>626-19</b>	USED BY:	SCALE:	ORDER NO. -	PACKAGE SHEET: OF
SHEET: OF		DATE:	DRN BY: BOLTON T. DATE: 01/15/01	CUSTOMER: <b>FENCO</b>	



Last Update: 08/23/2006 - Bolton T.

	<b>Fenco</b>
	Undercounter & Forecounter Equipment
	P.O. BOX 1238 BURLINGTON, NJ 08016-0516 www.fencobankequipment.com