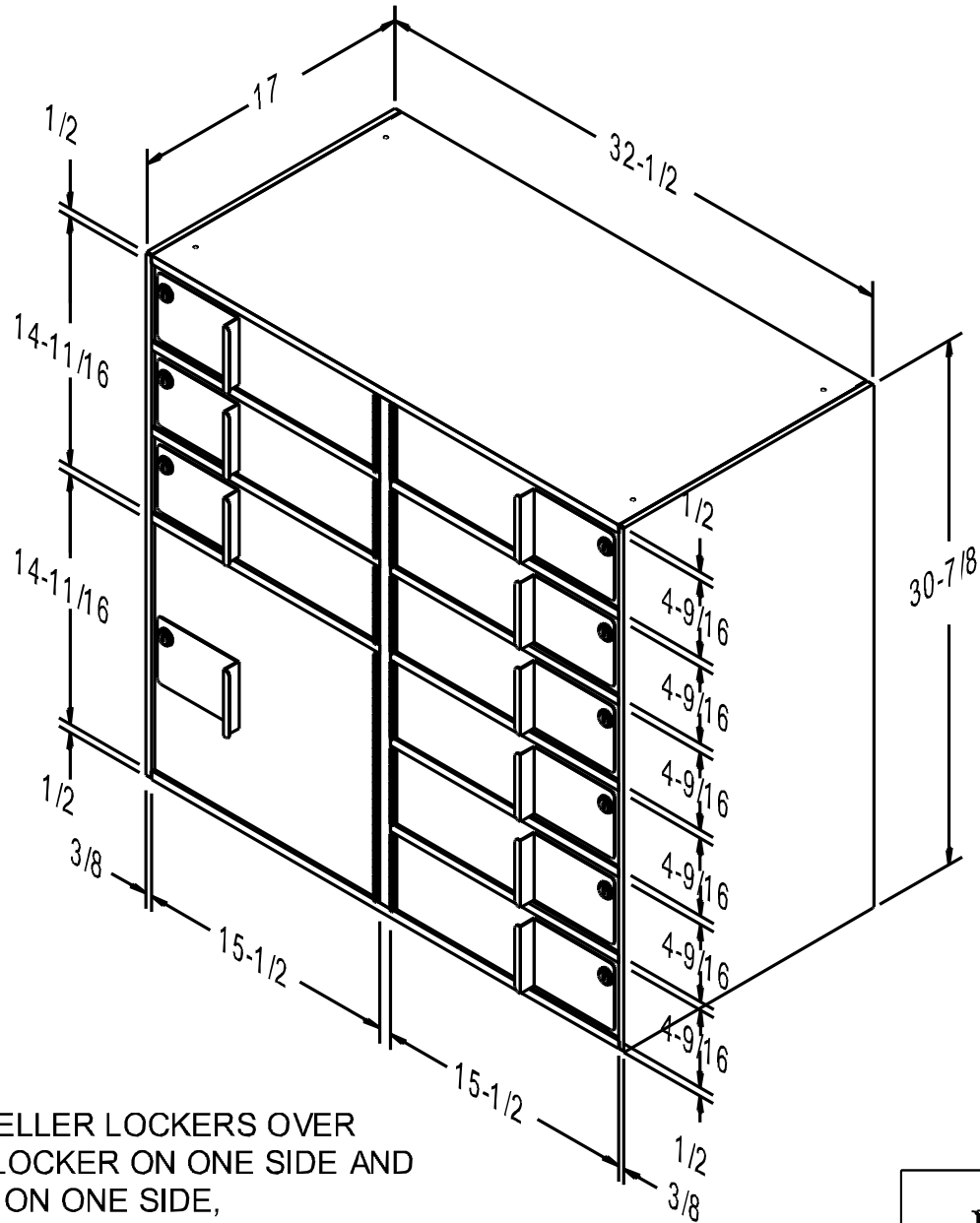


PART NO.:	TITLE: 3610-17	USED BY: Bolton T.	SCALE: NTS	ORDER NO:	PACKAGE SHEET: OF
SHEET: OF:	VAULT & SAFE INTERIORS	DATE:	DRN BY: Bolton T. DATE: 03/10/05	CUSTOMER:	

WT: 158 LBS



DOUBLE WIDTH, (3) TELLER LOCKERS OVER
 (1) MANAGER/ CASH LOCKER ON ONE SIDE AND
 (6) TELLER LOCKERS ON ONE SIDE,
 32-1/2" W x 30-7/8" H X 17" D

ALL VSI MODELS ARE OFFERED IN 24" DEPTH

Last Update: - 03/10/05: Bolton T.

Fenco
 Undercounter & Forecounter Equipment
 P.O. BOX 1238 BURLINGTON, NJ 08016-0516
www.fencobankequipment.com