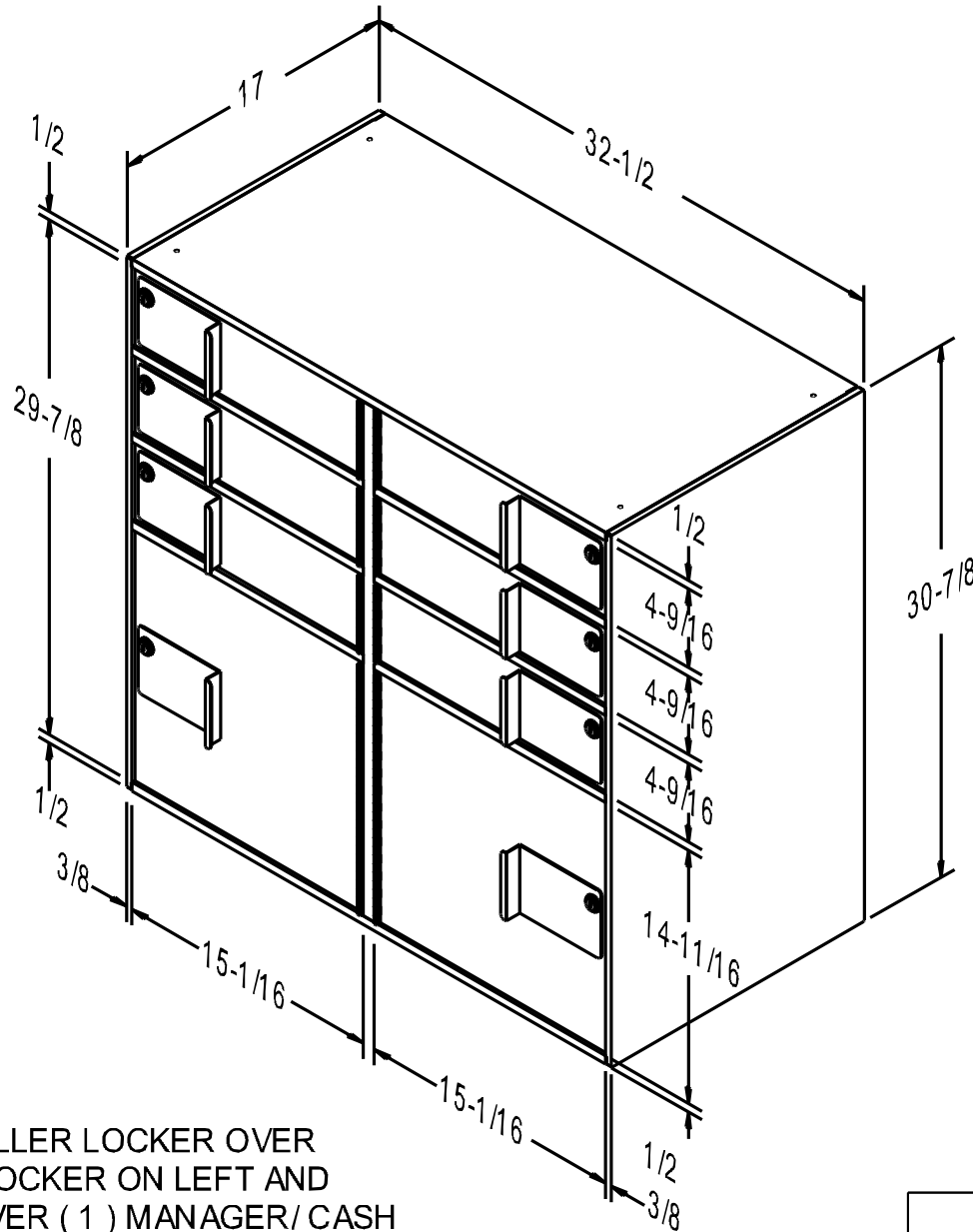


PART NO.:	TITLE: 3608-17	USED BY: Bolton T.	SCALE: NTS	ORDER NO.:	PACKAGE SHEET: OF
SHEET: OF:	VAULT & SAFE INTERIORS	DATE:	DRN BY: Bolton T. DATE: 03/10/05	CUSTOMER:	

WT: 157 LBS



DOUBLE WIDTH, ( 3 ) TELLER LOCKER OVER  
 ( 1 ) MANAGER/ CASH LOCKER ON LEFT AND  
 ( 3 ) TELLER LOCKER OVER ( 1 ) MANAGER/ CASH  
 LOCKER ON RIGHT, 32-1/2" W x 30-7/8" H x 17" D

ALL VSI MODELS ARE OFFERED IN 24" DEPTH

Last Update: - 11/15/07: Bolton T.

**Fenco**  
 Undercounter & Forecounter Equipment  
 P.O. BOX 1238 BURLINGTON, NJ 08016-0516  
[www.fencobankequipment.com](http://www.fencobankequipment.com)