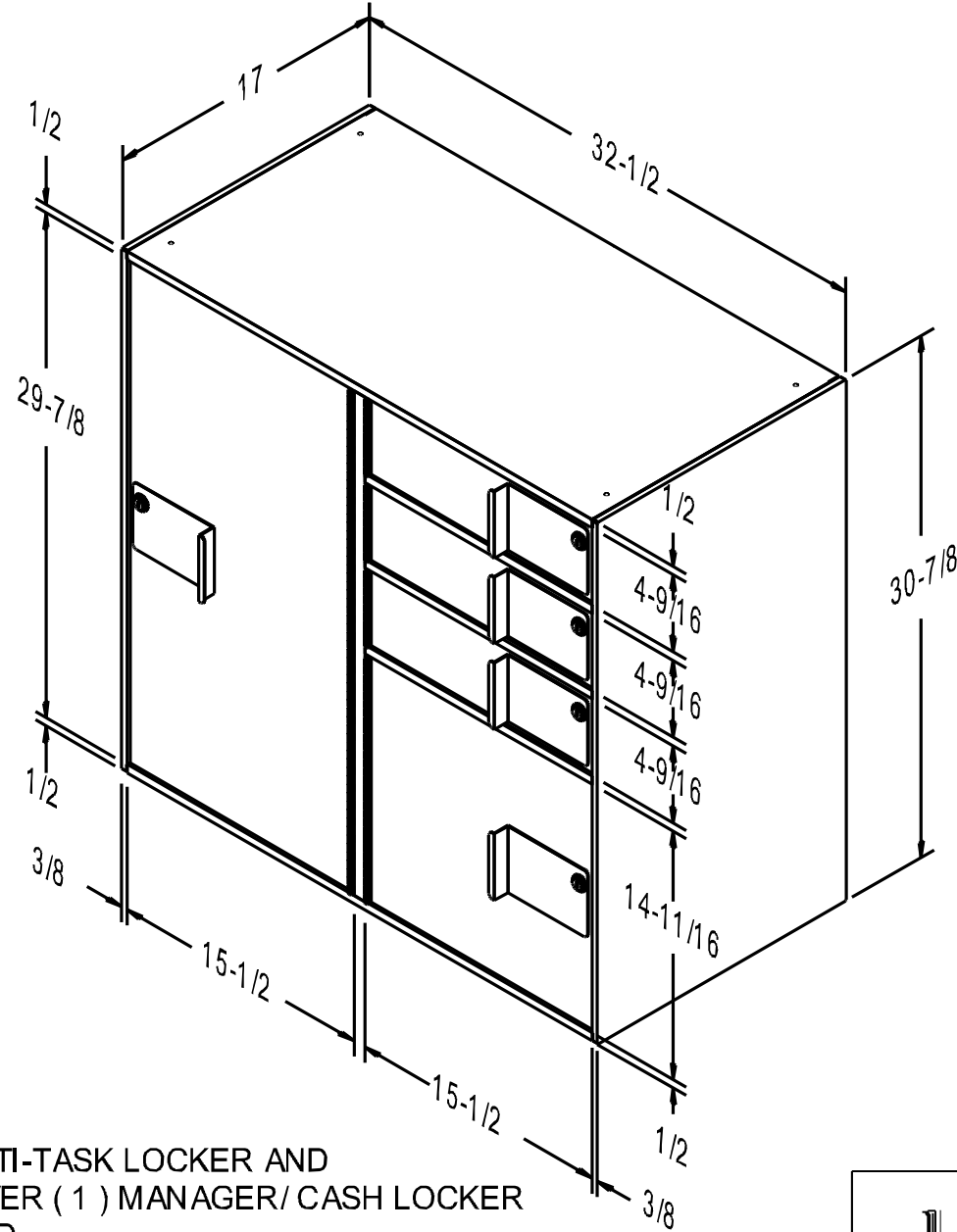


PART NO.:	TITLE: 3605-17 VAULT & SAFE INTERIORS	USED BY: Bolton T.	SCALE: NTS	ORDER NO.:	PACKAGE SHEET: OF
SHEET: OF:		DATE:	DRN BY: Bolton T. DATE:	CUSTOMER:	

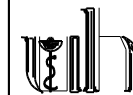
WT: 152 LBS



DOUBLE WIDTH, (1) MULTI-TASK LOCKER AND
(3) TELLER LOCKERS OVER (1) MANAGER/ CASH LOCKER
32-1/2" W x 30-7/8" H x 17" D

ALL VSI MODELS ARE OFFERED IN 24" DEPTH

Last Update: - 11/15/07: Bolton T.



Undercounter & Forecounter Equipment
P.O. BOX 1238 BURLINGTON, NJ 08016-0516
www.fencobankequipment.com