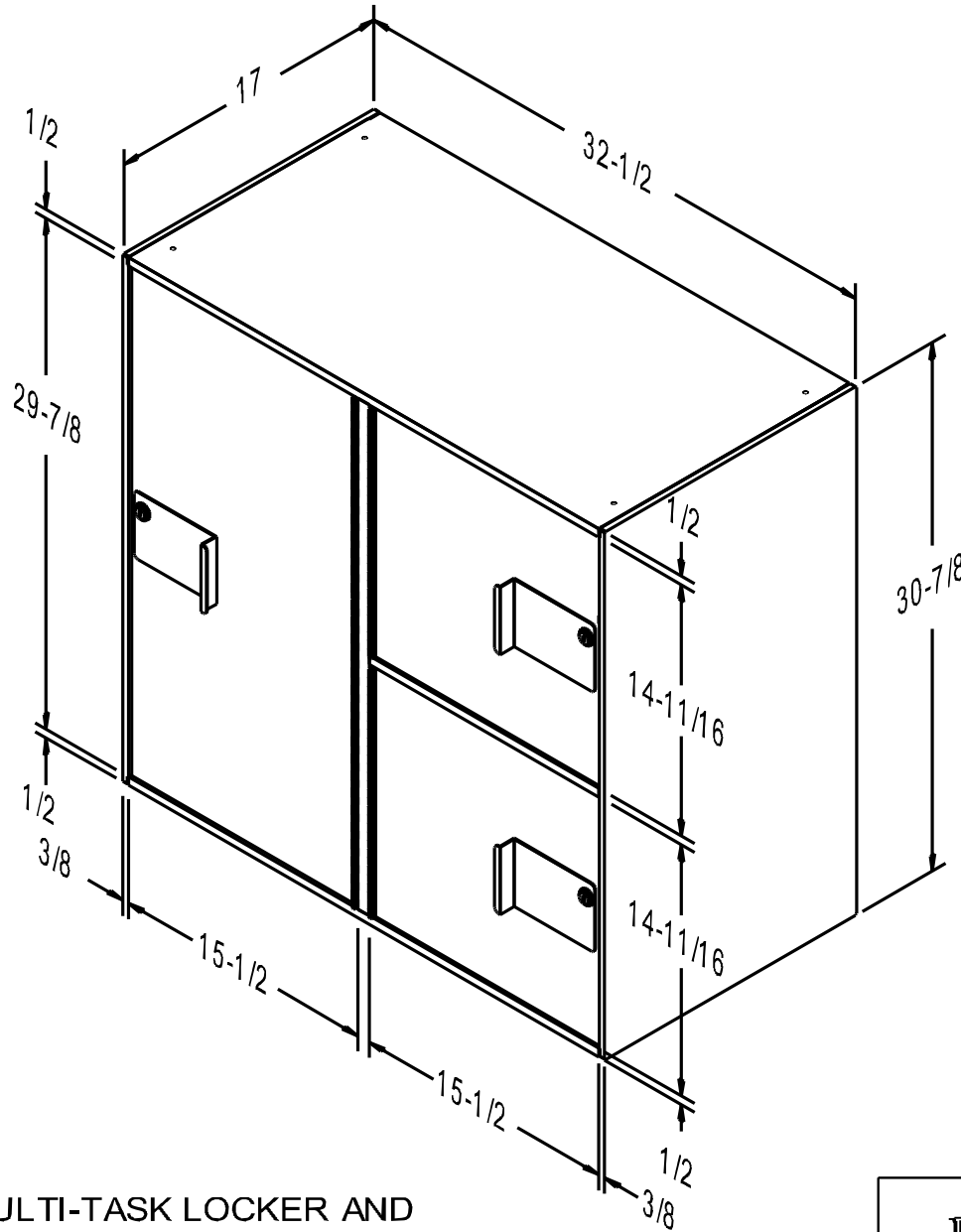


PART NO.:	TITLE: 3603-17 VAULT & SAFE INTERIORS	USED BY: Bolton T.	SCALE: NTS	ORDER NO.:	PACKAGE SHEET: OF
SHEET: OF:		DATE:	DRN BY: Bolton T. DATE: 03/10/05	CUSTOMER:	

WT: 146 LBS



Last Update: - 11/15/07: Bolton T.

DOUBLE WIDTH, (1) MULTI-TASK LOCKER AND
 (2) MANAGER/ CASH LOCKERS, 32-1/2" W x 30-7/8" H x 17" D
 ALL VSI MODELS ARE OFFERED IN 24" DEPTH

Fenco
 Undercounter & Forecounter Equipment
 P.O. BOX 1238 BURLINGTON, NJ 08016-0516
www.fencobankequipment.com