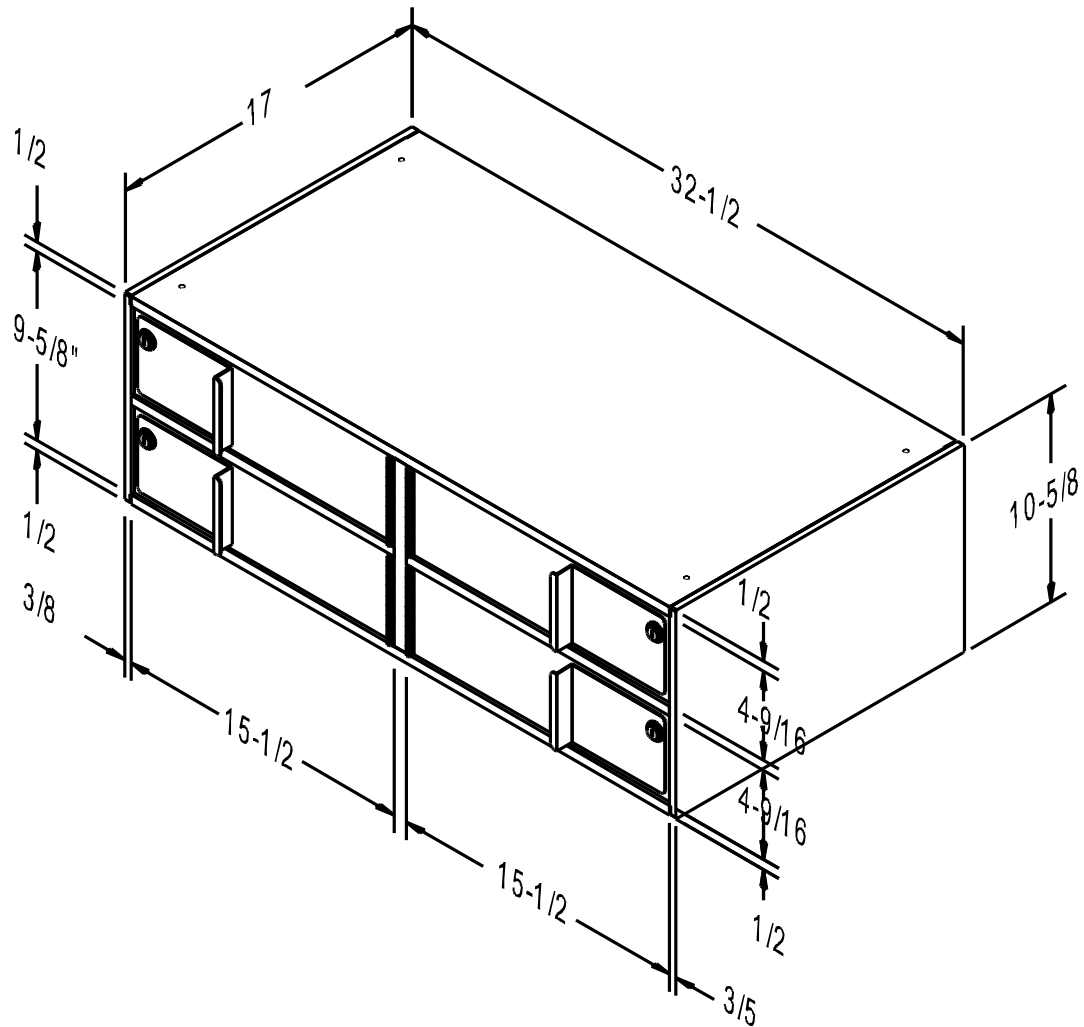


PART NO.:	TITLE: 3204-17	USED BY: Bolton T.	SCALE: NTS	ORDER NO.:	PACKAGE SHEET: OF
SHEET: OF:	VAULT & SAFE INTERIORS	DATE:	DRN BY: Bolton T. DATE: 03/10/05	CUSTOMER:	

WT: 69 LBS



DOUBLE WIDTH, (4) TELLER LOCKERS
32-1/2" W x 10-5/8" H x 17" D

ALL VSI MODELS ARE OFFERED IN 24" DEPTH

Last Update: -11/15/07: Bolton T.

Fenco
Undercounter & Forecounter Equipment
P.O. BOX 1238 BURLINGTON, NJ 08016-0516
www.fencobankequipment.com