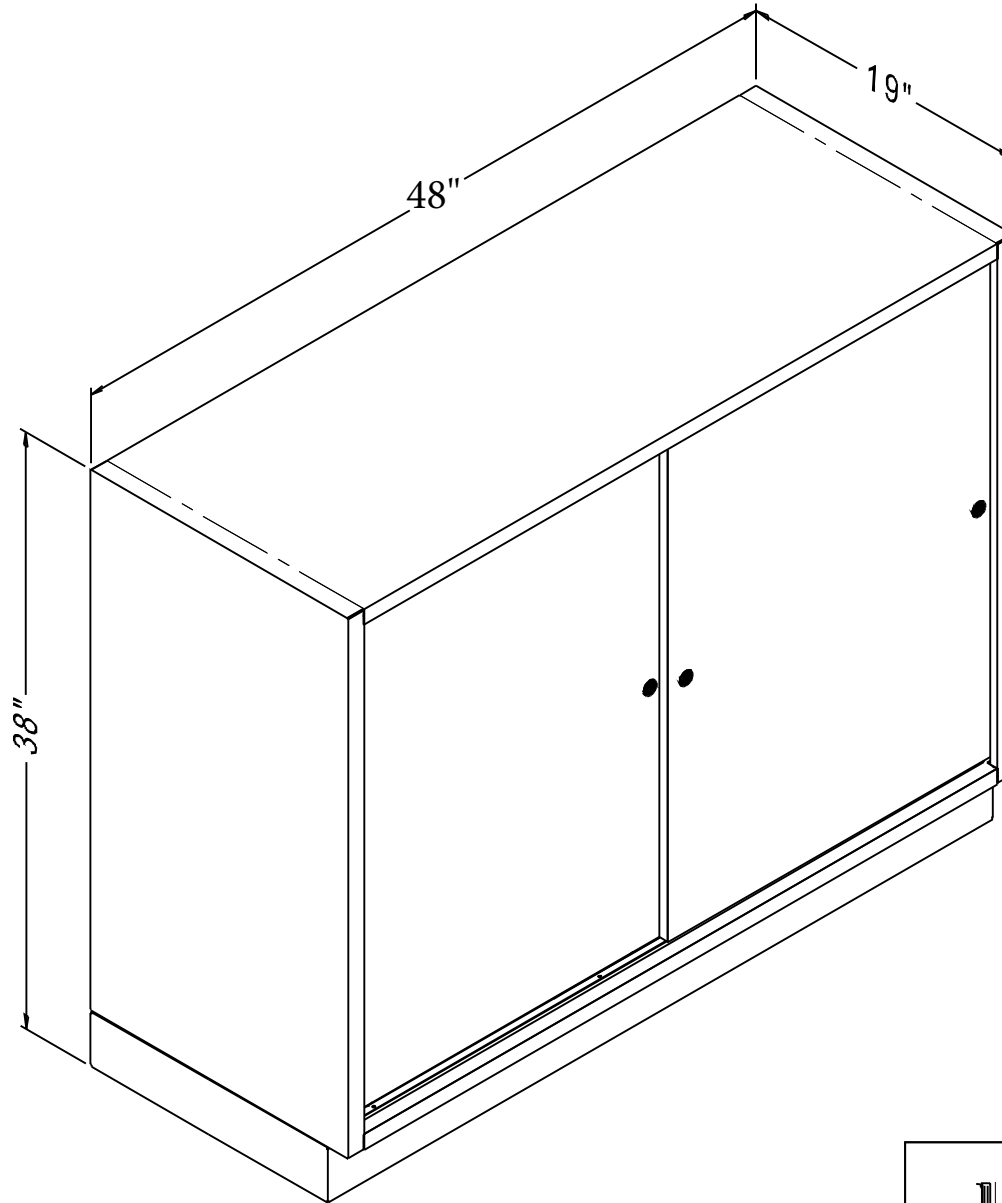


PART NO.:	TITLE:	USED BY: Bolton T.	SCALE: NTS	ORDER NO: -	PACKAGE SHEET: OF
SHEET: OF:	270-19"	DATE:	DRN BY: Bolton T. DATE: 02/05/09	CUSTOMER: FENCO	



Last Update: 02/05/2009 - Bolton T.



**Fenco**

Undercounter & Forecounter Equipment

P.O. BOX 1238 BURLINGTON, NJ 08016-0516

www.fencobankequipment.com