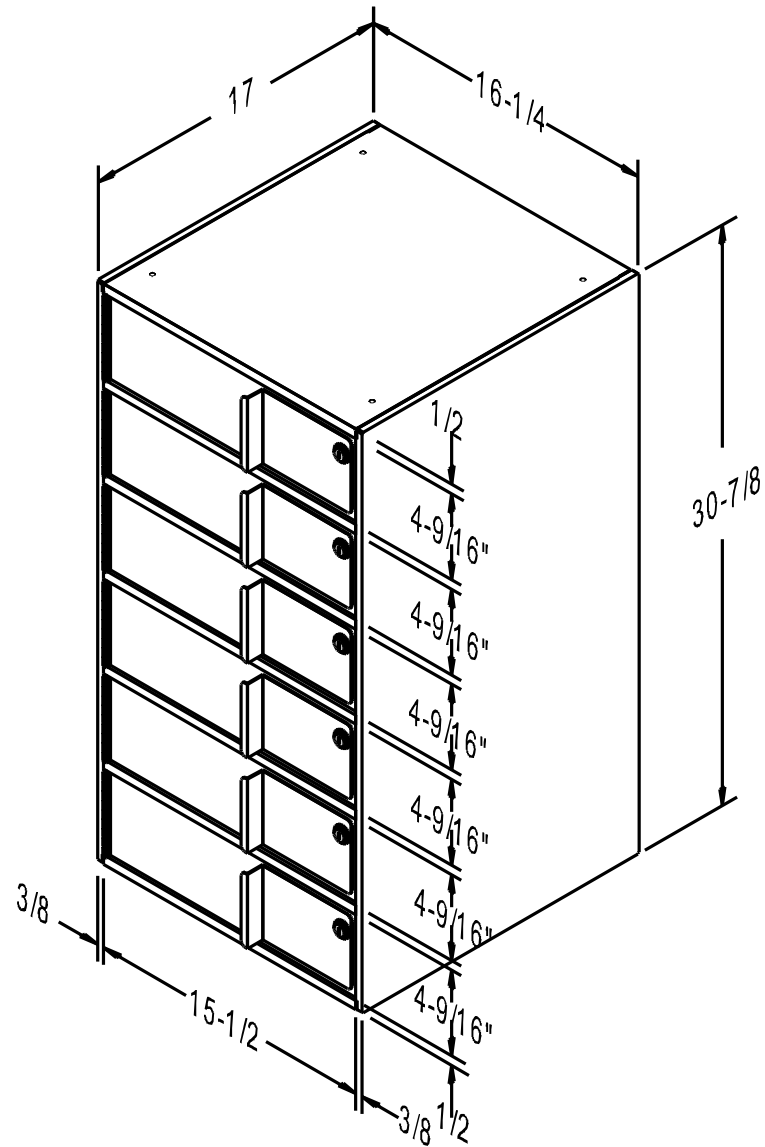


PART NO.:	TITLE: 2606-17	USED BY: Bolton T.	SCALE: NTS	ORDER NO.:	PACKAGE SHEET: OF
SHEET: OF:	VAULT & SAFE INTERIORS	DATE:	DRN BY: Bolton T. DATE: 03/10/05	CUSTOMER:	



SINGLE WIDTH, ( 6 ) TELLER LOCKERS,  
16-1/4" W x 30-7/8" H, 17" D

ALL VSI MODELS ARE OFFERED IN 24" DEPTH

Last Update: -11/15/07: Bolton T.

**Fenco**  
Undercounter & Forecounter Equipment  
P.O. BOX 1238 BURLINGTON, NJ 08016-0516  
www.fencobankequipment.com