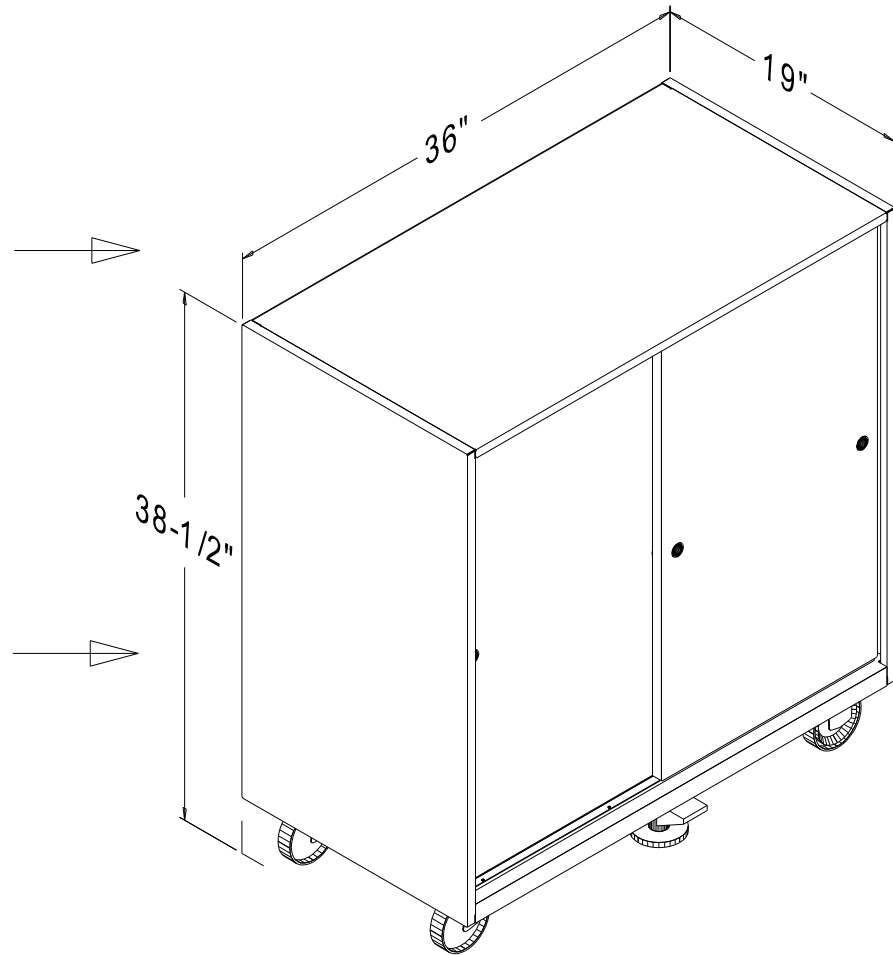
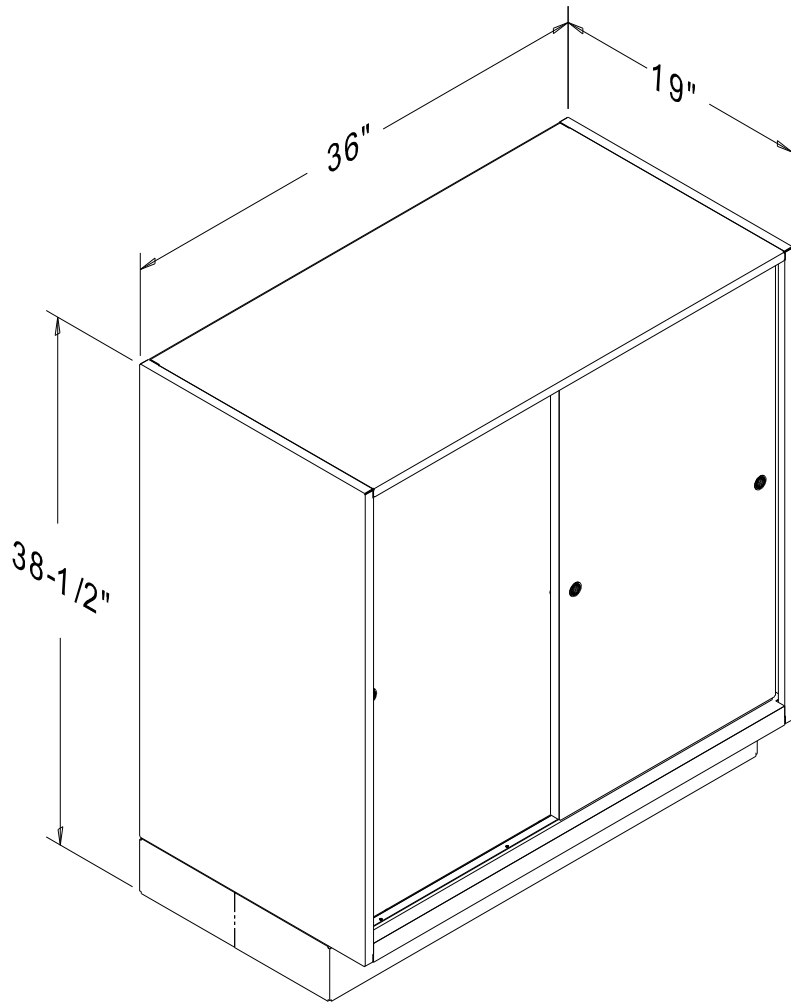


PART NO:	TITLE: 231-19 TO 231-19 BUS	USED BY:	SCALE:	ORDER NO. -	PACKAGE SHEET: OF
SHEET: OF		DATE:	DRN BY: Bolton T. DATE: 02/16/07	CUSTOMER: FENCO	



Last Update: 02/16/2007 - Bolton T.


Fenco
 Undercounter & Forecounter Equipment
 P.O. BOX 1238 BURLINGTON, NJ 08016-0516
www.fencobankequipment.com