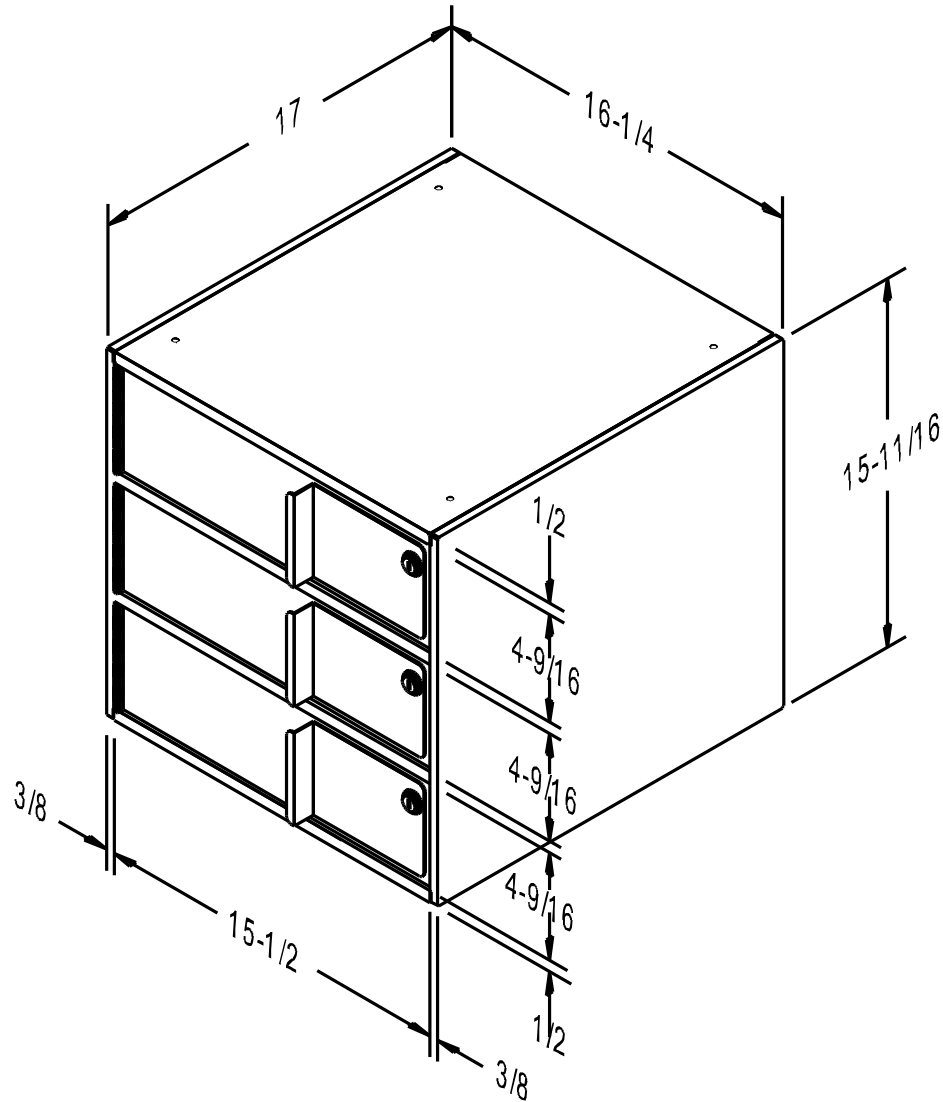


PART NO.:	TITLE: 2303-17	USED BY: Bolton T.	SCALE: NTS	ORDER NO.:	PACKAGE SHEET: OF
SHEET: OF:	VAULT & SAFE INTERIORS	DATE:	DRN BY: Bolton T. DATE: 03/10/05	CUSTOMER:	



Last Update: - 11/15/07: Bolton T.

SINGLE WIDTH, (3) TELLER LOCKERS
16-1/4" W x 15-11/16" H, 17" D

ALL VSI MODELS ARE OFFERED IN 24" DEPTH



Fenco
Undercounter & Forecounter Equipment
P.O. BOX 1238 BURLINGTON, NJ 08016-0516
www.fencobankequipment.com