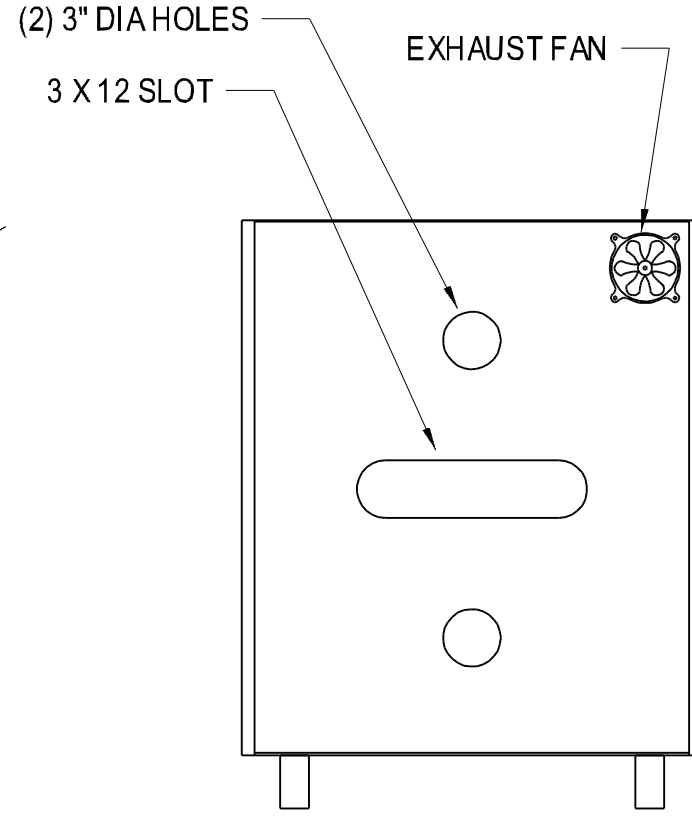
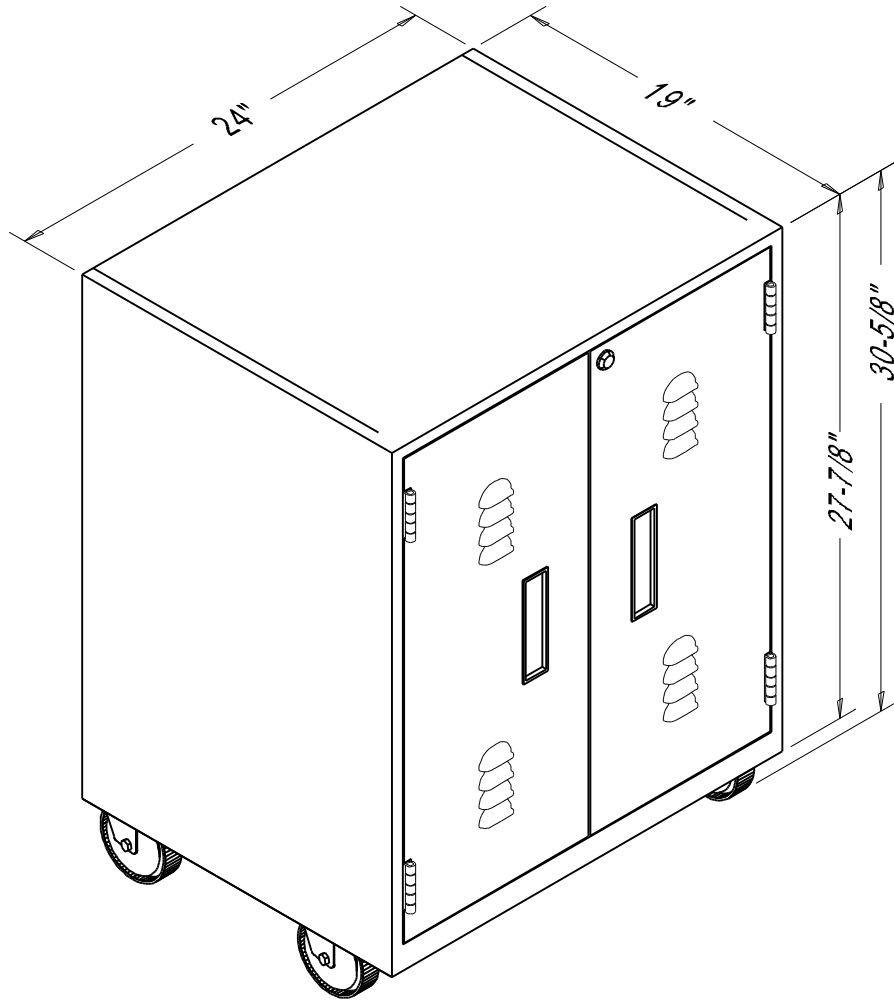


PART NO:	TITLE: UNIT 228-19 (24" W, 19" D, 27-78 H)	USED BY:	SCALE:	ORDER NO. -	PACKAGE SHEET: OF
SHEET: OF	OVERALL HEIGHT 30-5/8" W/CASTERS	DATE:	DRN BY: Bolton T. DATE: 12/01/04	CUSTOMER: -	

REQ'D: UNITS



UNIT VIEW FROM BACK

UNIT 228 COMES WITH TWO ADJUSTABLE SHELVES
 FOUR MEDIUM DUTTY CASTERS, FIXED IN BACK
 AND SWIVELED IN FRONT, ONE EXHAUST FAN,
 CUTOUTS IN BACK FOR VENTILATION AND WIRING.

Last Update: 12/01/2004 by Bolton T..

 **UNITED HOSPITAL SUPPLY CORP.**
 P.O. BOX 1238 BURLINGTON, NJ 08016-0516