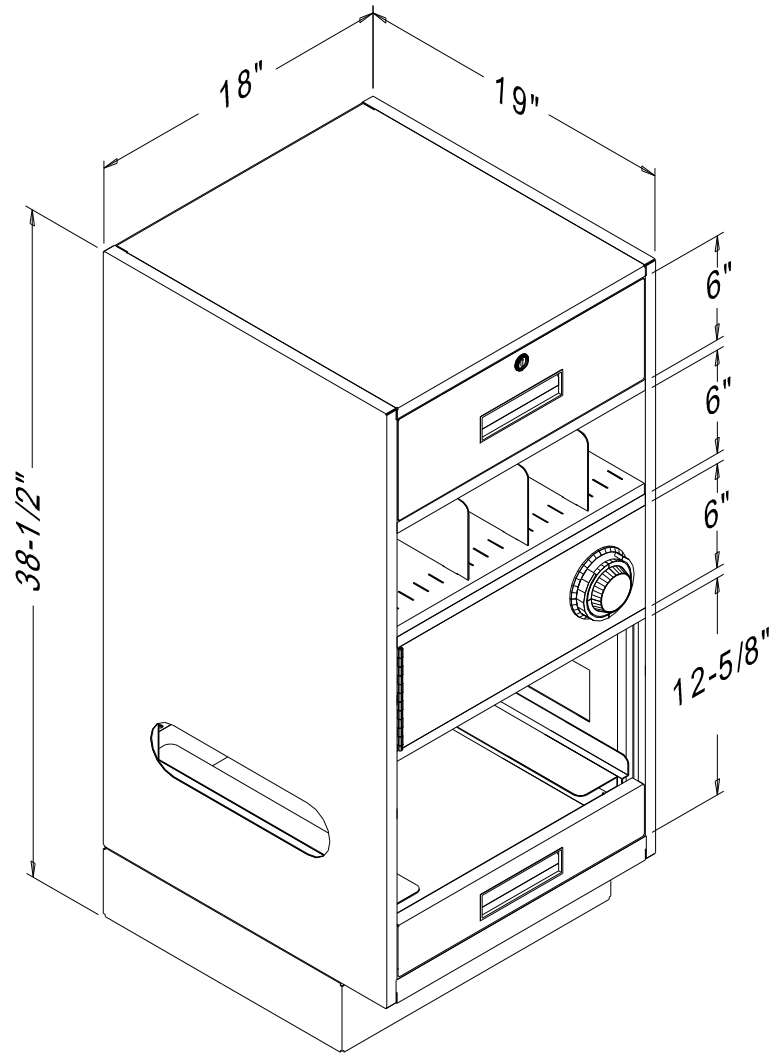


PART NO:	TITLE: <b>224- 19</b>	USED BY:	SCALE:	ORDER NO. -	PACKAGE SHEET: OF
SHEET: OF		DATE:	DRN BY: Bolton T. DATE: 01/26/15	CUSTOMER: <b>FENCO</b>	



A KEY-LOCKING BOX DRAWER OVER A P-51 FORMS HOLDER W/ 3 ADJUSTABLE DIVIDERS OVER AN 1/8" STEEL PLATE LOCKER DOOR EQUIPPED WITH A GROUP II SPY PROOF MECH. COMBO LOCK, OVER A VENTILATED CPU COMPARTMENT W/ A PULL-OUT CPU SHELF.

Last Update: 01/26/2015 - Bolton T.

**Fenco**  
 Undercounter & Forecounter Equipment  
 P.O. BOX 1238 BURLINGTON, NJ 08016-0516  
[www.fencobankequipment.com](http://www.fencobankequipment.com)