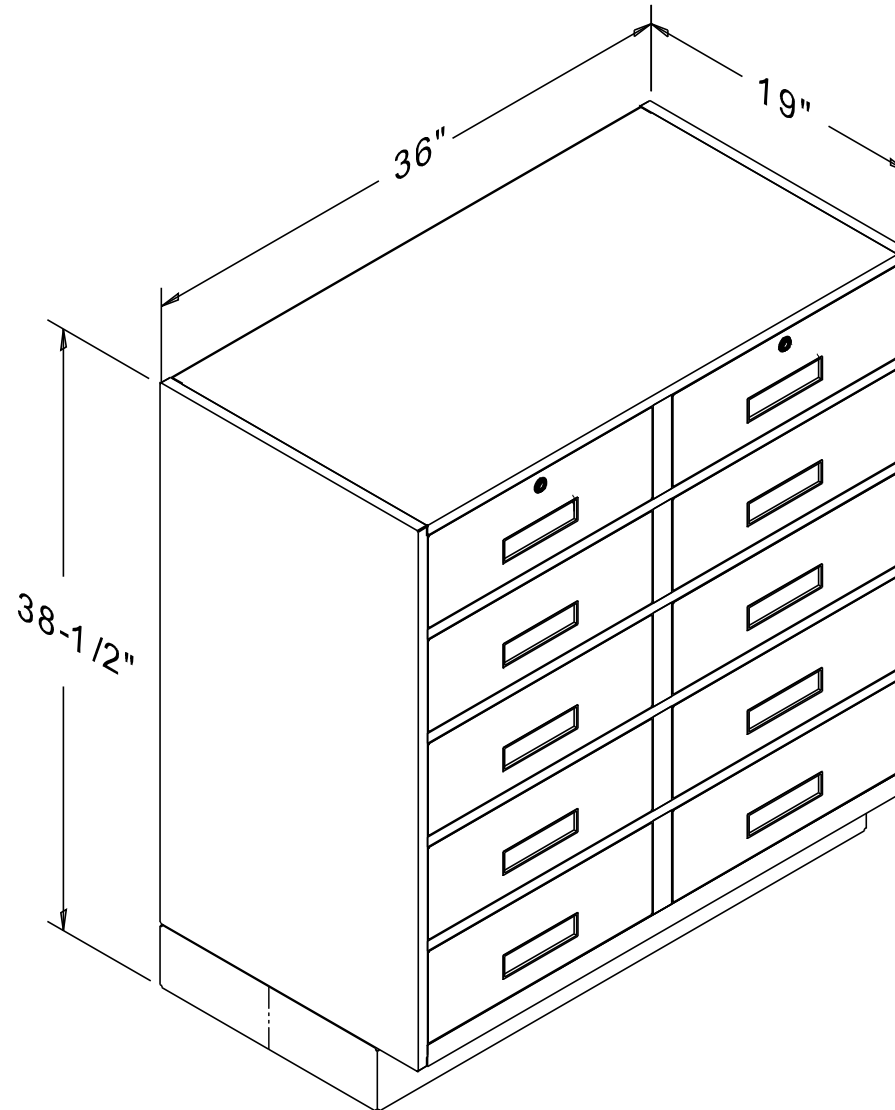


| | | | | | |
|-----------|---------------|----------|-------------------------------------|-----------------|-------------------|
| PART NO: | TITLE: 215-19 | USED BY: | SCALE: | ORDER NO. - | PACKAGE SHEET: OF |
| SHEET: OF | | DATE: | DRN BY: BOLTON T. DATE: 10/25/04 | CUSTOMER: FENCO | |



Last Update: 12/17/2003 - Bolton T.


Fenco
 Undercounter & Forecounter Equipment
 P.O. BOX 1238 BURLINGTON, NJ 08016-0516
www.fencobankequipment.com