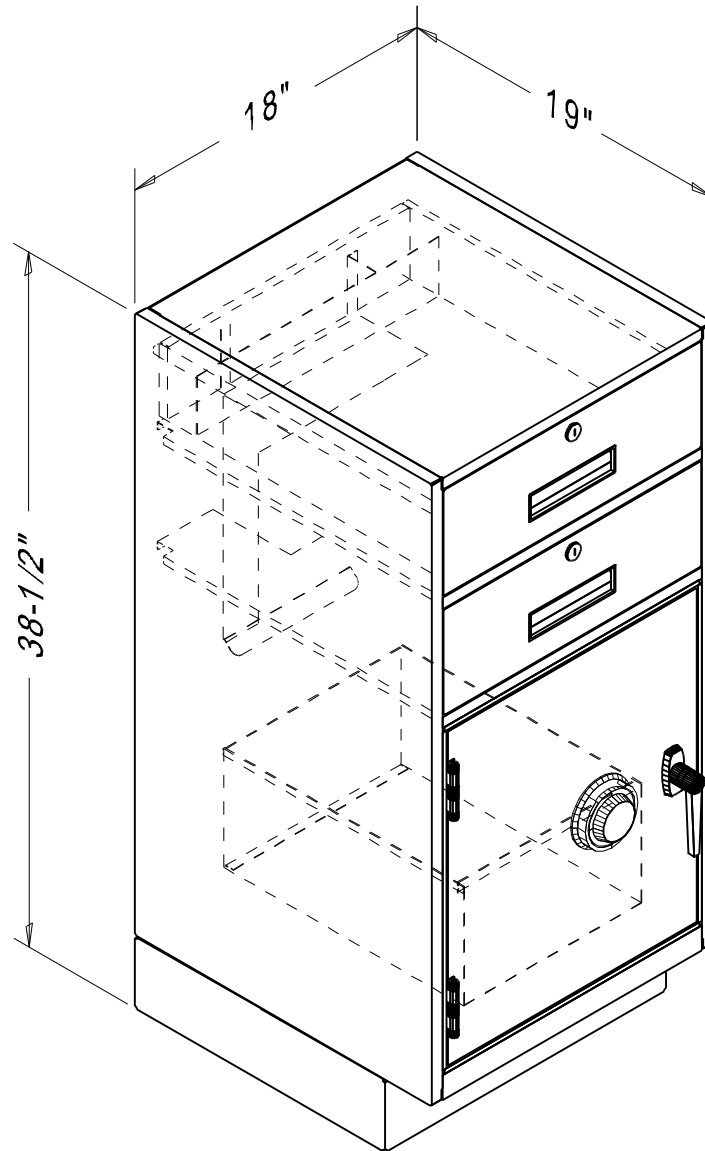


PART NO:	TITLES:	USED BY:	SCALE:	ORDER NO. -	PACKAGE SHEET: OF
SHEET: OF	201-19 CASH PROTECTOR UNIT	DATE:	DRN BY: Bolton T. DATE: 07/08/03	CUSTOMER: FENCO	



UNIT INCLUDES

TWO LOCKING BOX DRAWERS  
WITH SELF-CONTAINED MONEY  
DROP AND P-13 IN ONE DRAWER  
PULLOUTSHELF AND BIN IN 1/4"  
STEEL PLATE LOCKER BEHIND  
1/2" STEEL PLATE DOOR WITH "L "  
HANDLE AND COMBINATION LOCK

Last Update: 12/11/2007 - Bolton T.



**Fenco**  
Undercounter & Forecounter Equipment  
P.O. BOX 1238 BURLINGTON, NJ 08016-0516  
[www.fencobankequipment.com](http://www.fencobankequipment.com)