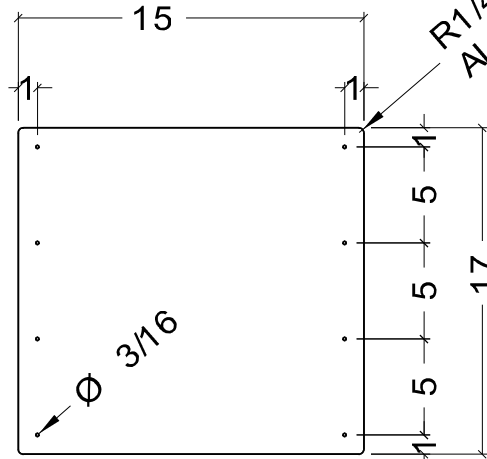
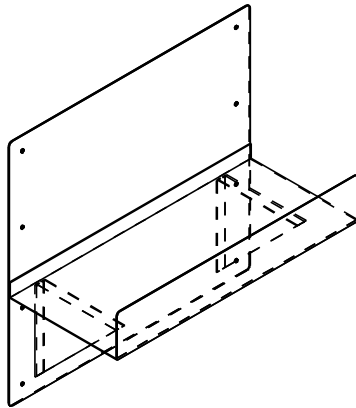


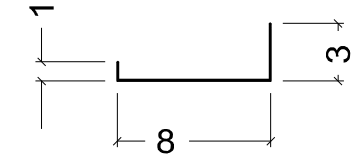
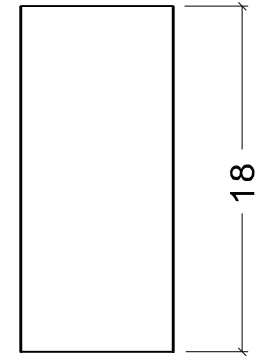
PART NO:	TITLE: CPU HOLDER	USED BY:	SCALE:	ORDER NO. 52195	PACKAGE SHEET: OF
SHEET: OF		DATE:	DRN BY: Bolton T. DATE: 10/29/01	CUSTOMER: KENWORTH MEDICAL SYTEMS, INC	

QTY: 4



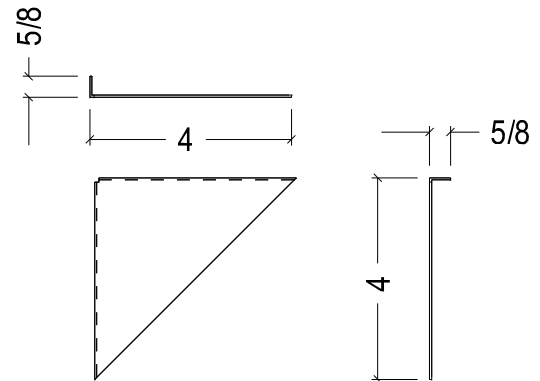
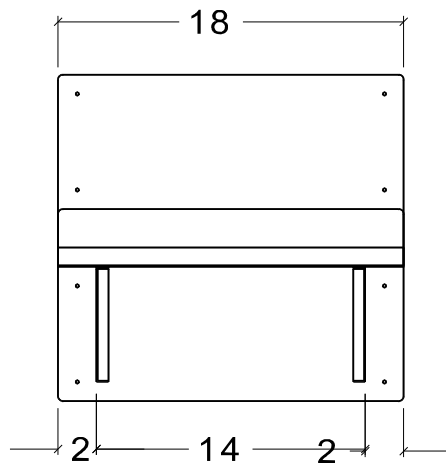
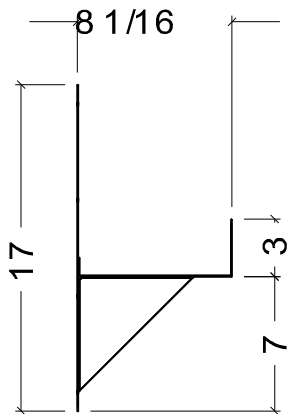
SIDE

BLANK: 17" x 15" x 16 GA.



BOTTOM

BLANK: 8-3/4" x 15" x 16 GA.



SUPPORT

BLANK: 4-1/2" x 4-1/2" x 16 GA (2/UNIT)

Last Update: 03/25/2008 by Bolton T..

 **UNITED HOSPITAL SUPPLY CORP.**
P.O. BOX 1238 BURLINGTON, NJ 08016-0516