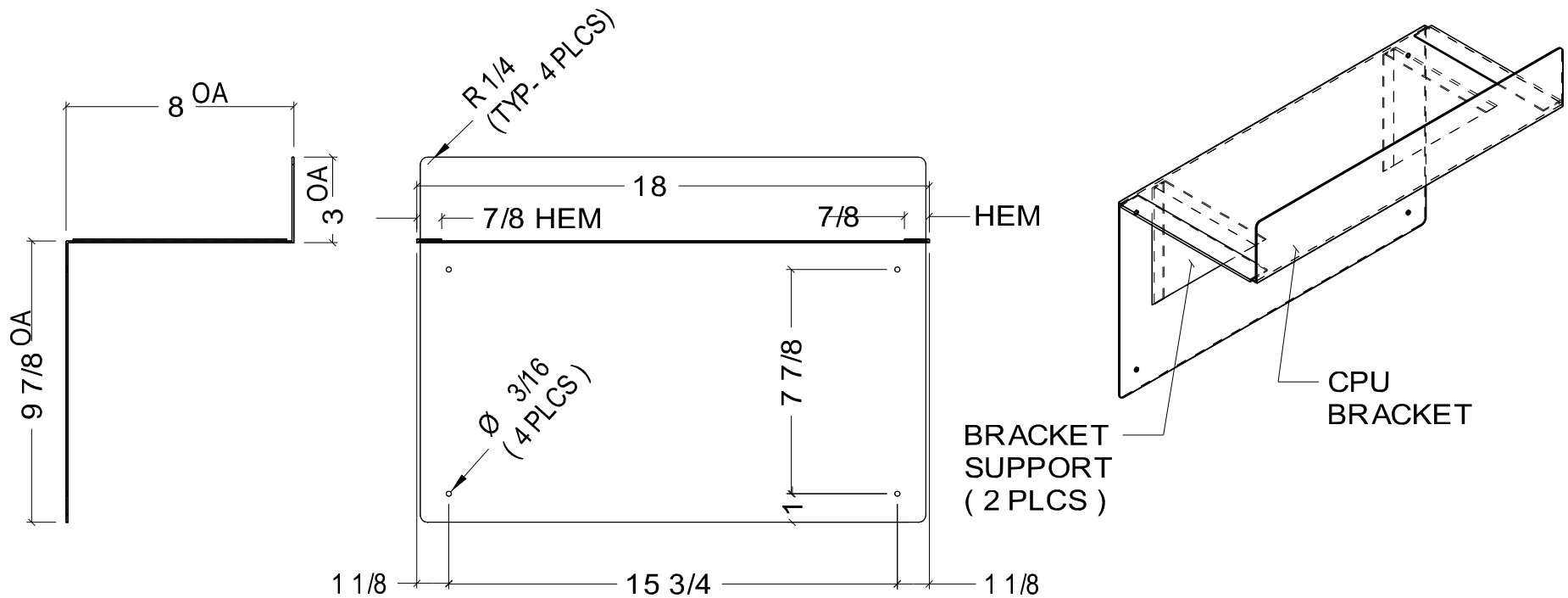
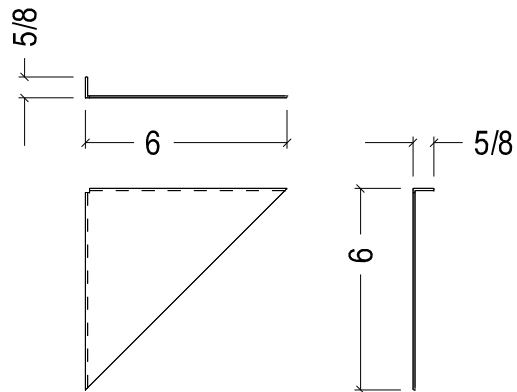


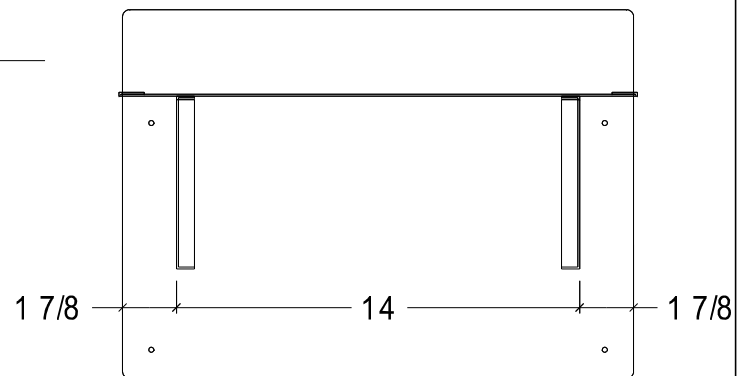
PART NO:	TITLE: CPU HOLDER	USED BY:	SCALE:	ORDER NO. 50561	PACKAGE SHEET: OF
SHEET: OF		DATE:	DRN BY: Bolton T. DATE: 10/29/01	CUSTOMER: DYNATECH-IFF 130	



BLANK: 20-5/8" x 19-3/4" x 16 GA (QTY: 8)



BLANK: 6-1/2" x 6-1/2" x 16 GA (2/UNIT)



Last Update: 03/13/2008 by Bolton T..

 UNITED HOSPITAL SUPPLY CORP.  
P.O. BOX 1238 BURLINGTON, NJ 08016-0516