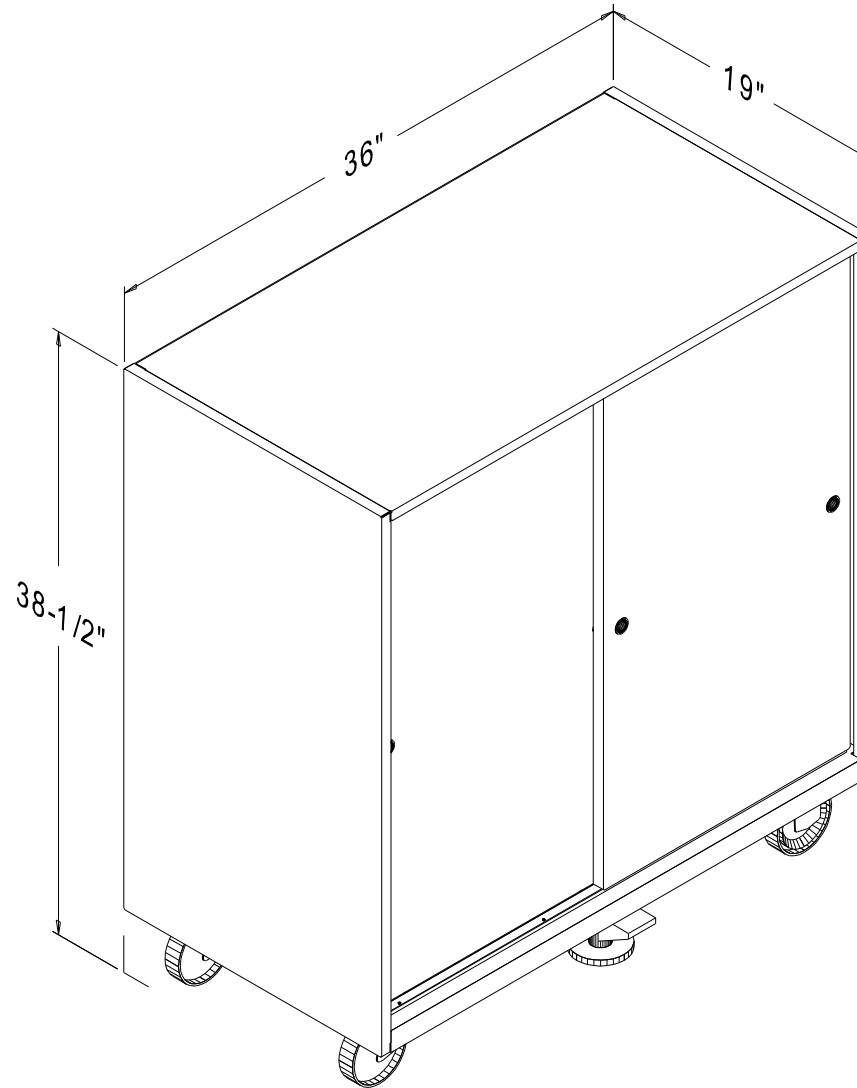


| | | | | | |
|-----------|--------------------------|----------|-------------------------------------|------------------------|-------------------|
| PART NO: | TITLE: 231-19 BUS | USED BY: | SCALE: | ORDER NO. - | PACKAGE SHEET: OF |
| SHEET: OF | | DATE: | DRN BY: Bolton T. DATE: 02/16/07 | CUSTOMER: FENCO | |



Last Update: 02/16/2007 - Bolton T.


Fenco
 Undercounter & Forecounter Equipment
 P.O. BOX 1238 BURLINGTON, NJ 08016-0516
www.fencobankequipment.com