

TITLE: GERM SHIELD  
35W x 30H

DATE: 04/17/20

DATE: 04/17/20

ORDER NO. XXXXX

PACKAGE SHEET: OF

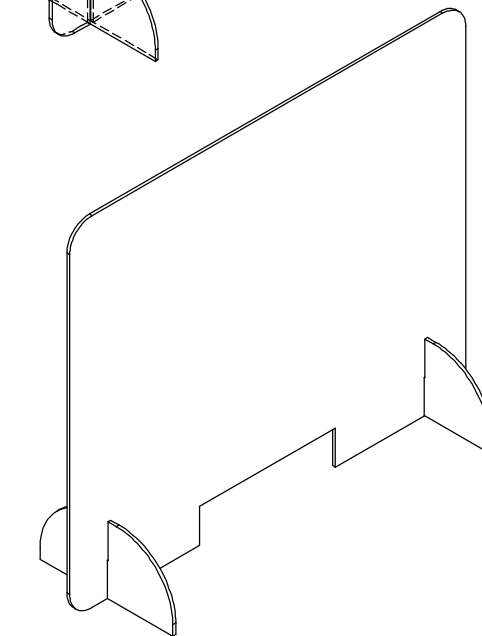
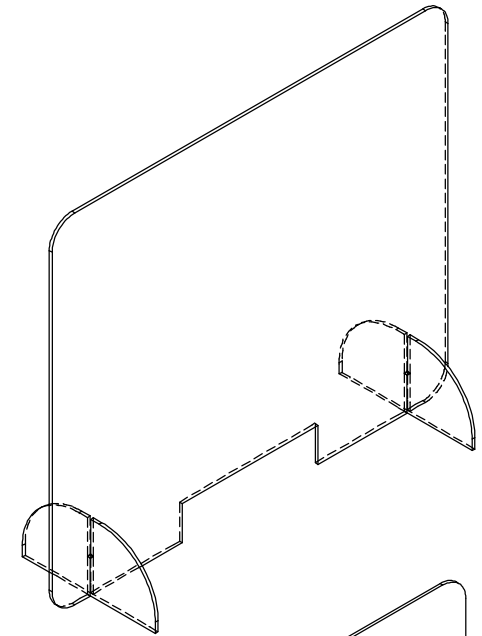
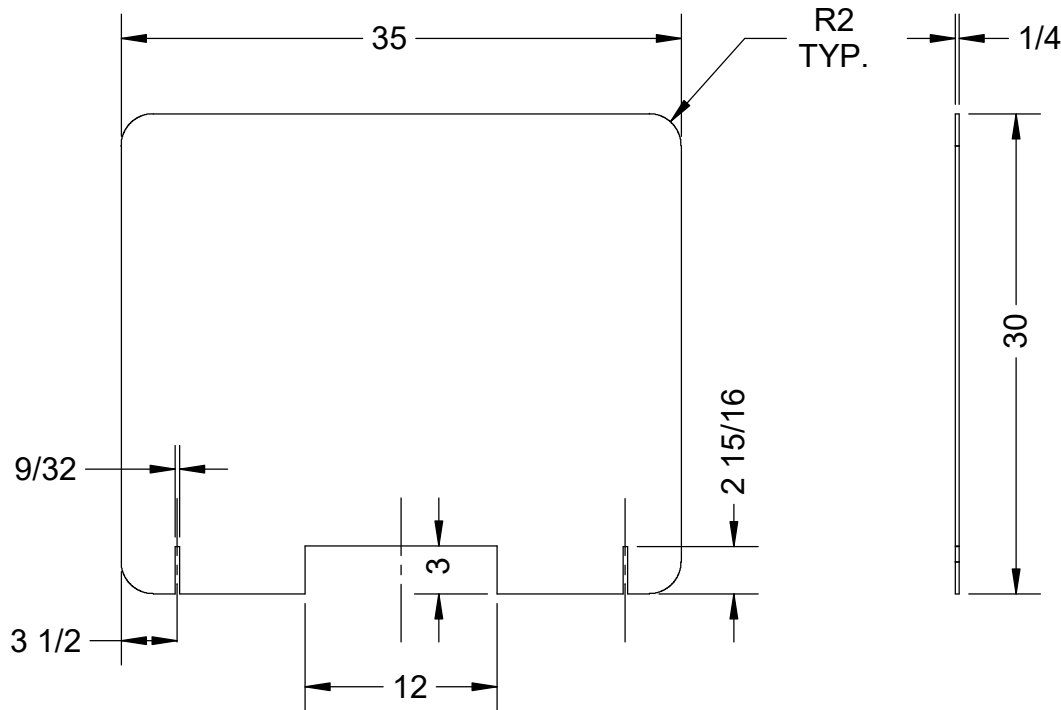
USED BY: T.HA

DESIGN BY:

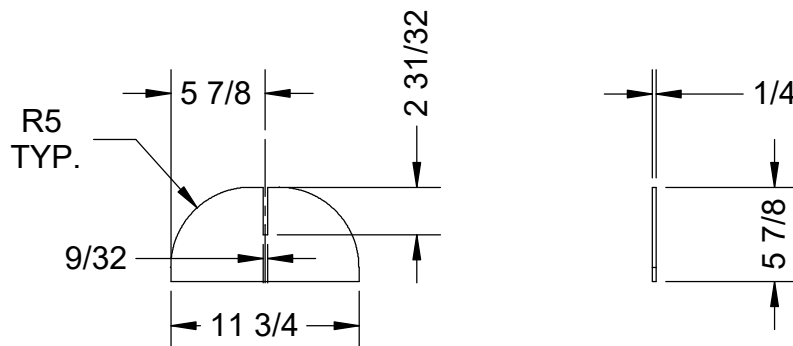
CUSTOMER: FENCO

DRAWN BY: T.HA

T.HA



GERMSHIELD: 1/4" THICK POLYMER (1/ ASSY)



FEET: 1/4" THICK POLYMER (2/ASSY)

Last Update: 04/17/20 T.HA



**Fenco**  
Undercounter & Forecounter Equipment  
P.O. BOX 1238 BURLINGTON, NJ 08016-0516  
www.fencobankequipment.com