

TITLE:

CSG-S-204 R94 TILT

DATE: 04/17/20

DATE: 4/10/20

ORDER NO.

PACKAGE SHEET: OF

USED BY: BT

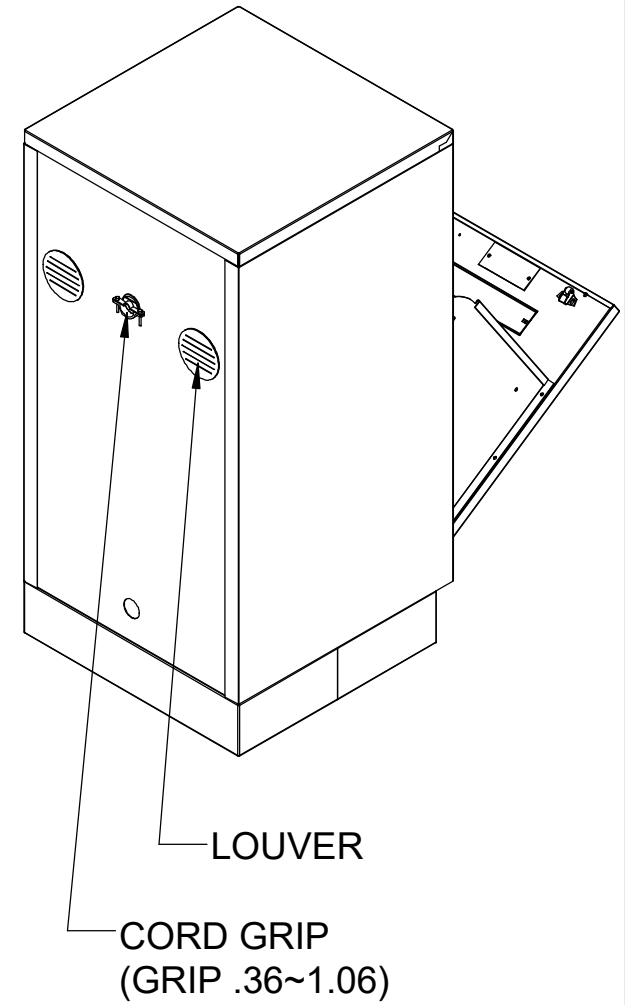
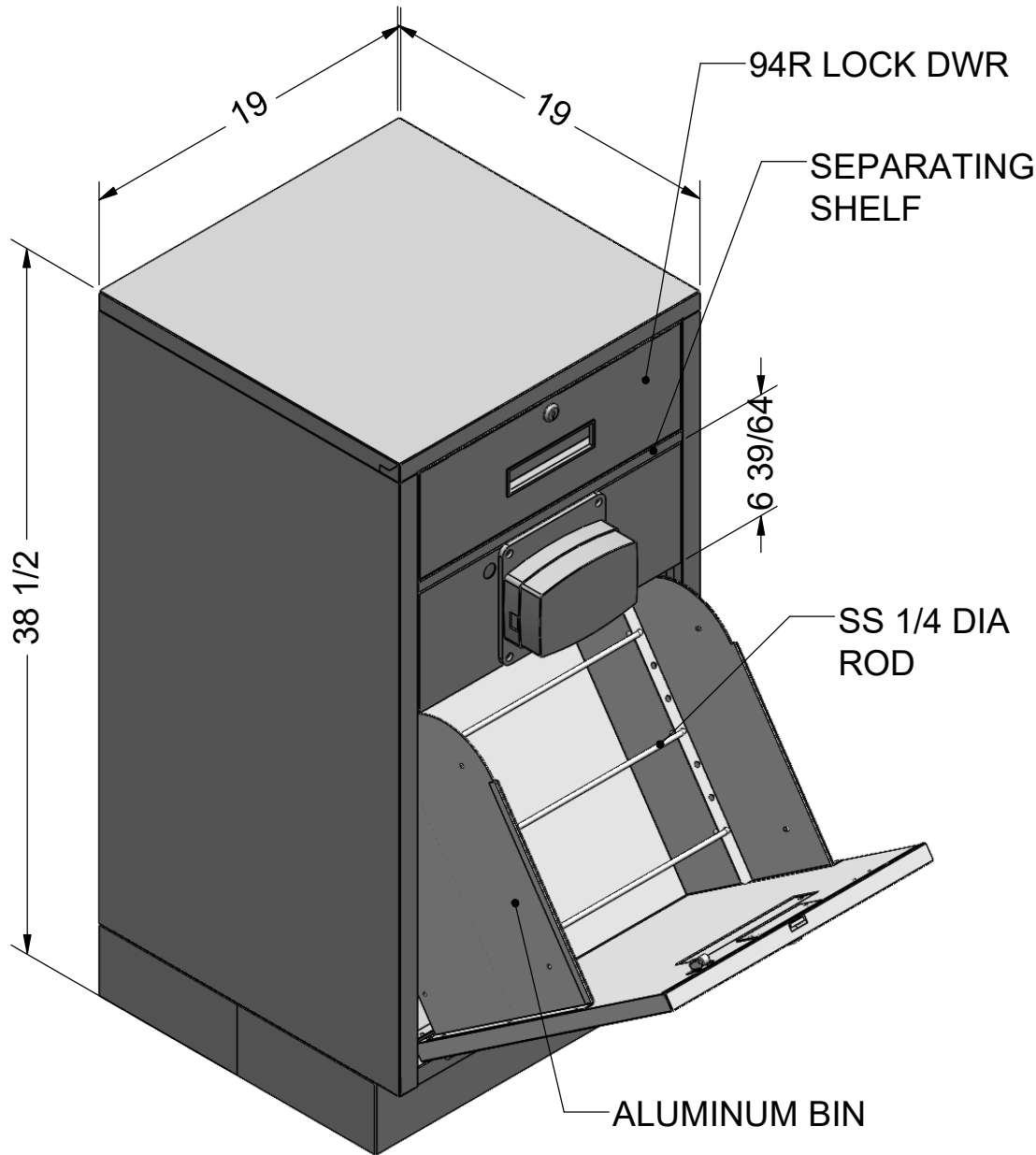
DESIGN BY:

CUSTOMER:

COOK SECURITY

DRAWN BY: BT

BT



Last Update: 8/4/20 BT



**Fenco**  
 Undercounter & Forecounter Equipment  
 P.O. BOX 1238 BURLINGTON, NJ 08016-0516  
 www.fencobankequipment.com