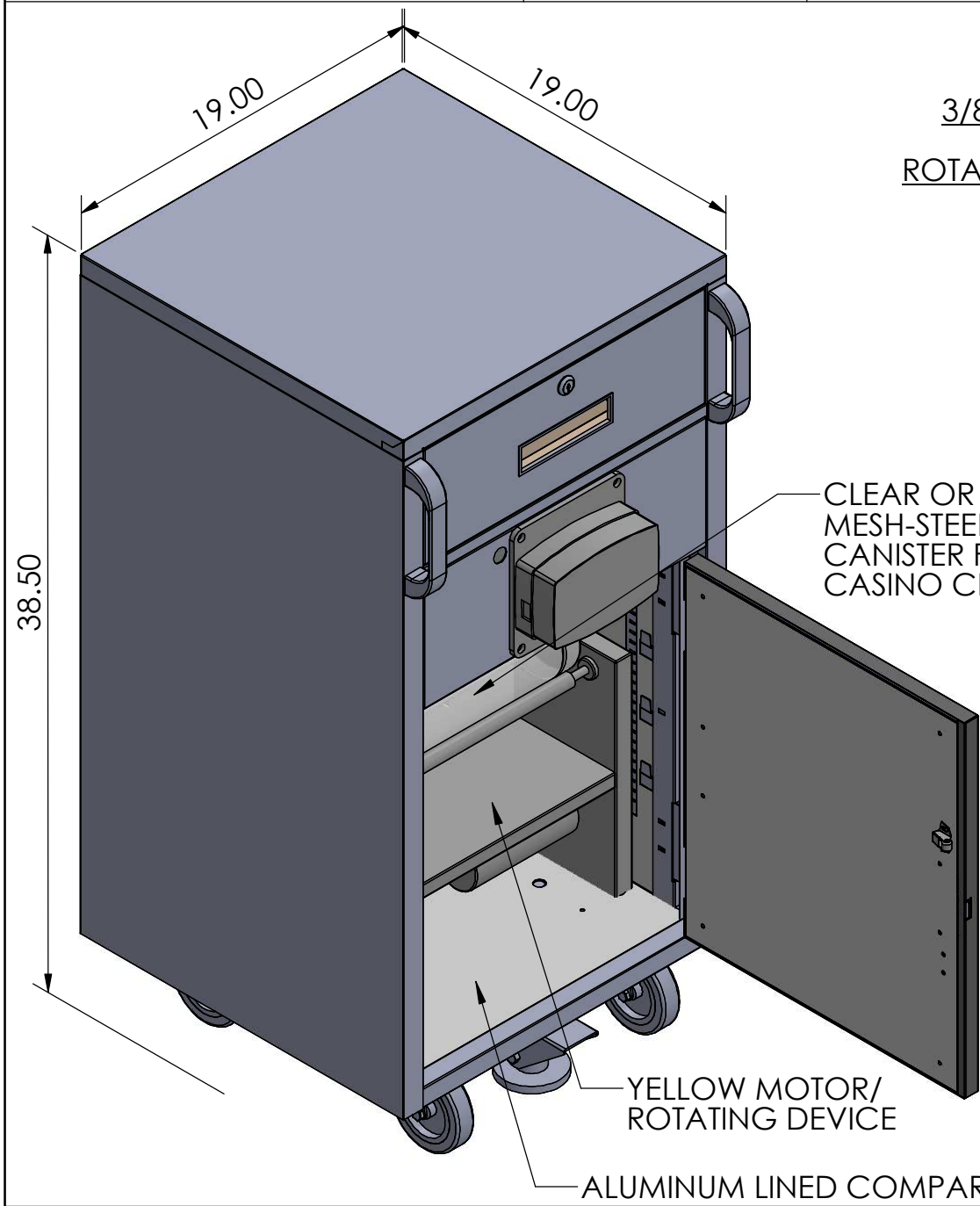
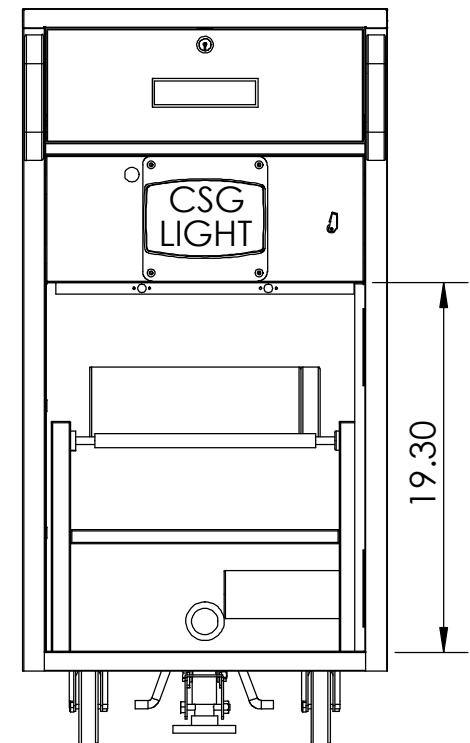
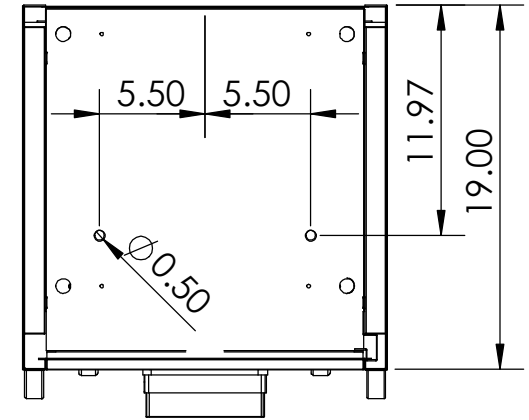


TITLE: CSG-S-204-94R BC	DATE: XX	DATE: XX	ORDER NO.:	PACKAGE SHEET: OF
	USED BY: NAME	DESIGN BY:	CUSTOMER: COOK SECURITY	
	DRAWN BY: BT	BT		



3/8" DIA HOLES  
TO MOUNT  
ROTATING DEVICE



Last Update: 05/29/20 NAME



**Fenco**  
Undercounter & Forecounter Equipment  
P.O. BOX 1238 BURLINGTON, NJ 08016-0516  
www.fencobankequipment.com