

TITLE:
CSG-241 W/BC-36 TUMBLER

DATE: XX

DATE: XX

ORDER NO.

PACKAGE SHEET: OF

USED BY: NAME

DESIGN BY:

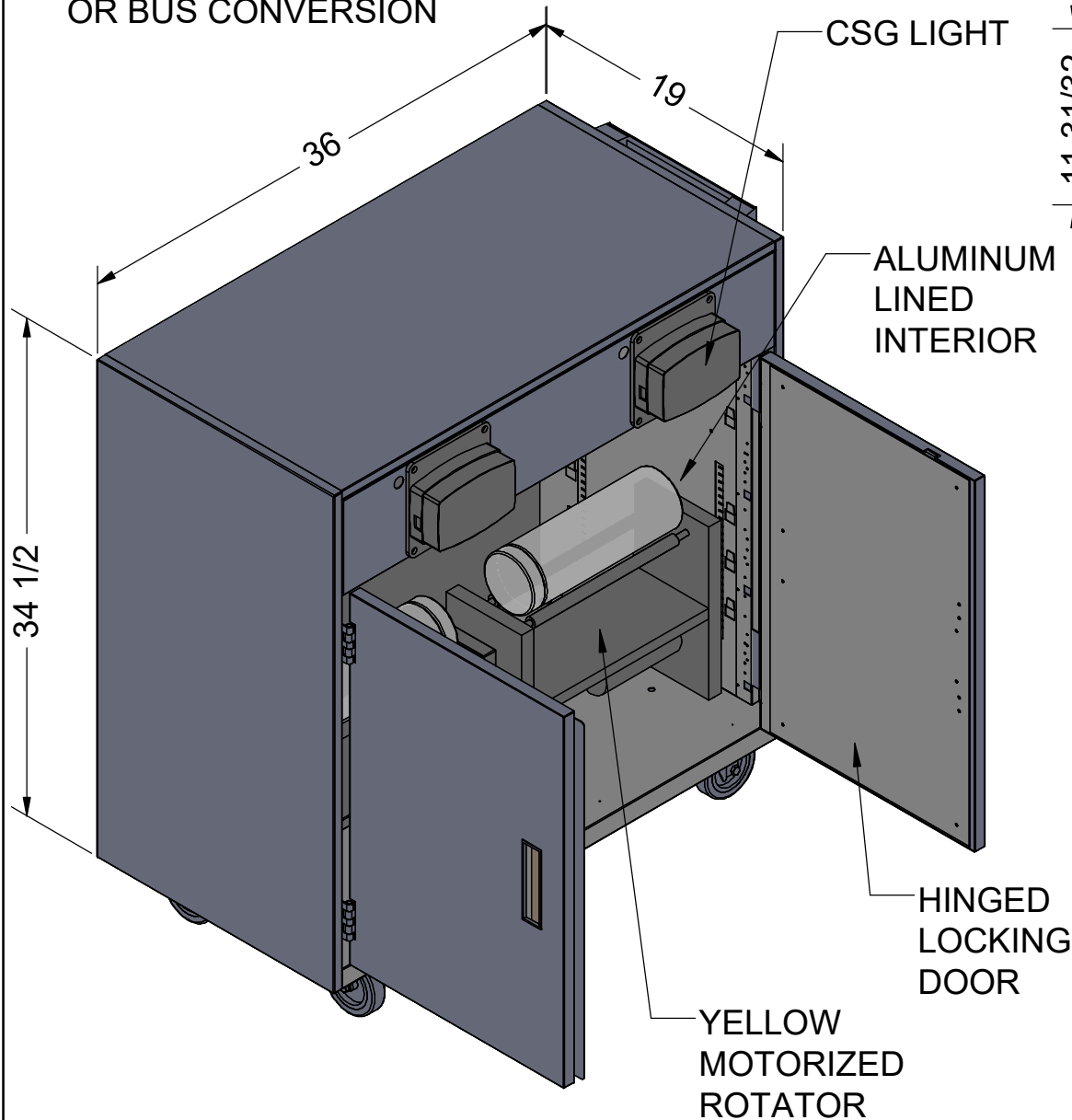
CUSTOMER:

COOK SECURITY

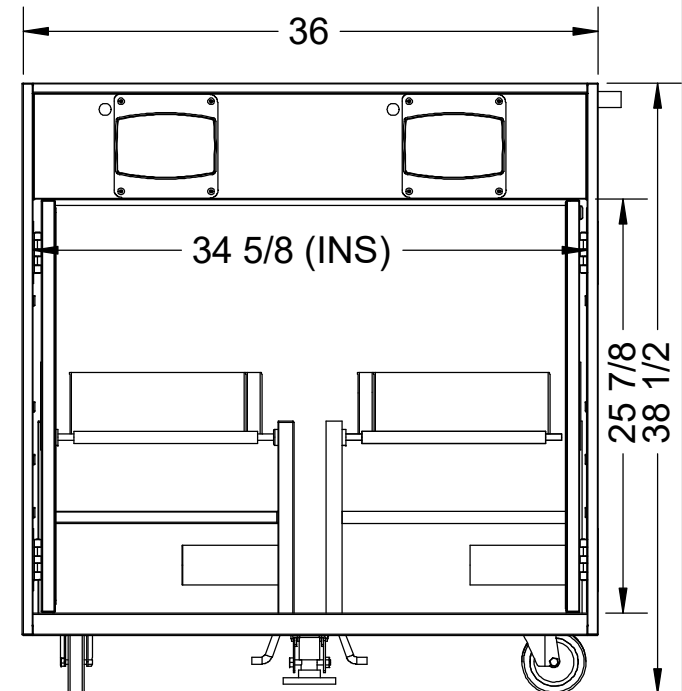
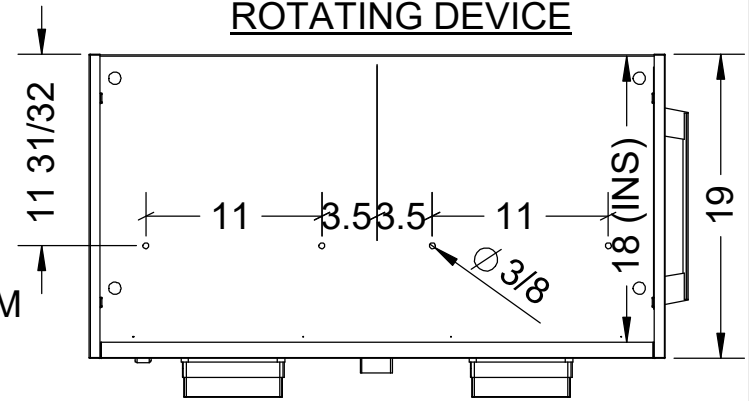
DRAWN BY: NAME

NAME

CAN HAVE FIXED BASE
OR BUS CONVERSION



3/8" DIA HOLES TO MOUNT
ROTATING DEVICE



Last Update: 5/28/20 BT



Fenco
Undercounter & Forecounter Equipment
P.O. BOX 1238 BURLINGTON, NJ 08016-0516
www.fencobankequipment.com