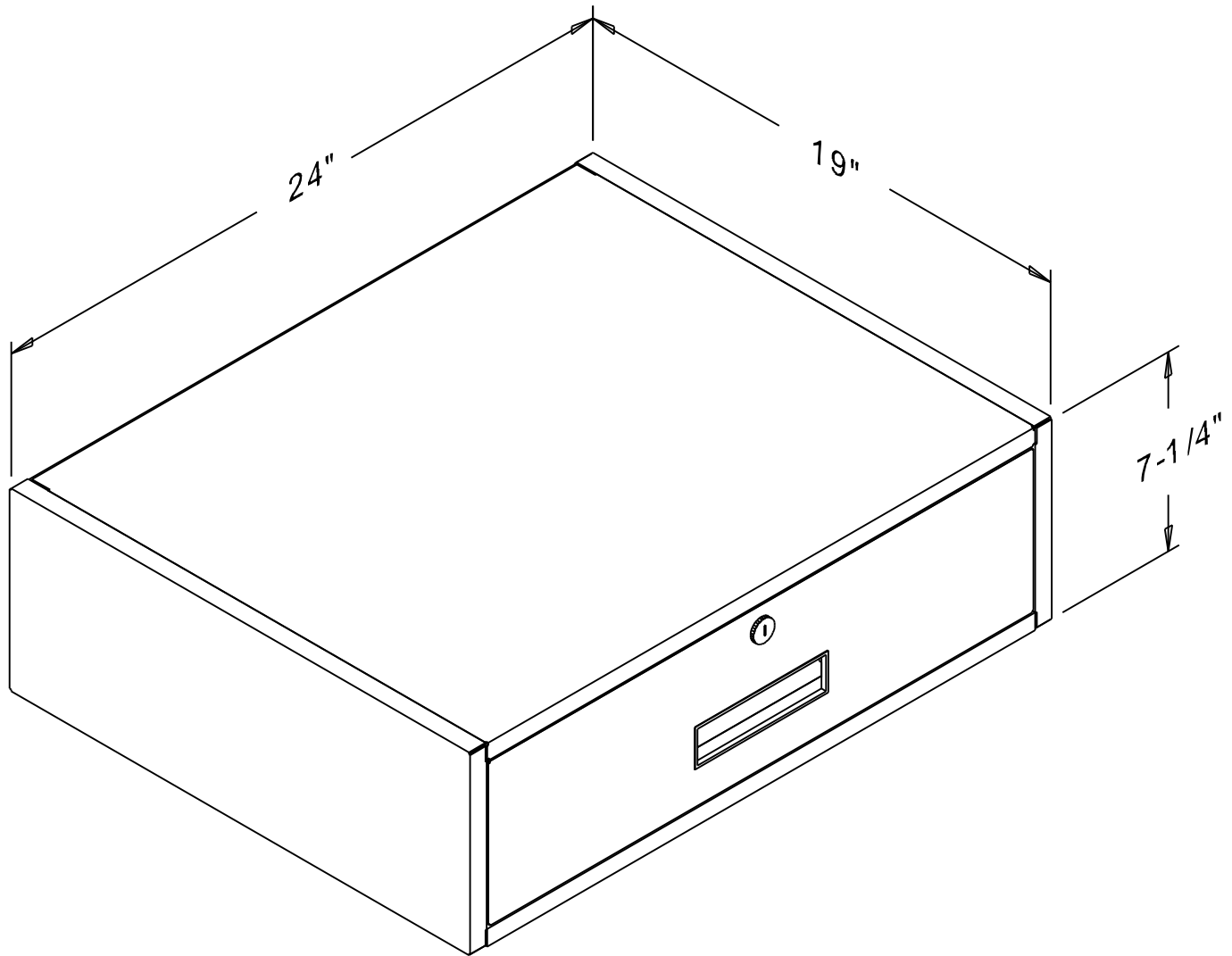


PART NO.:	TITLE: <b>P- 26</b>	USED BY: Bolton T.	SCALE: NTS	ORDER NO: -	PACKAGE SHEET: OF
SHEET: OF:		DATE:	DRN BY: Bolton T. DATE: 05/07/09	CUSTOMER: <b>FENCO</b>	



Last Update: 05/07/2009 - Bolton T.

	<b>Fenco</b>
	Undercounter & Forecounter Equipment
	P.O. BOX 1238 BURLINGTON, NJ 08016-0516 www.fencobanquequipment.com