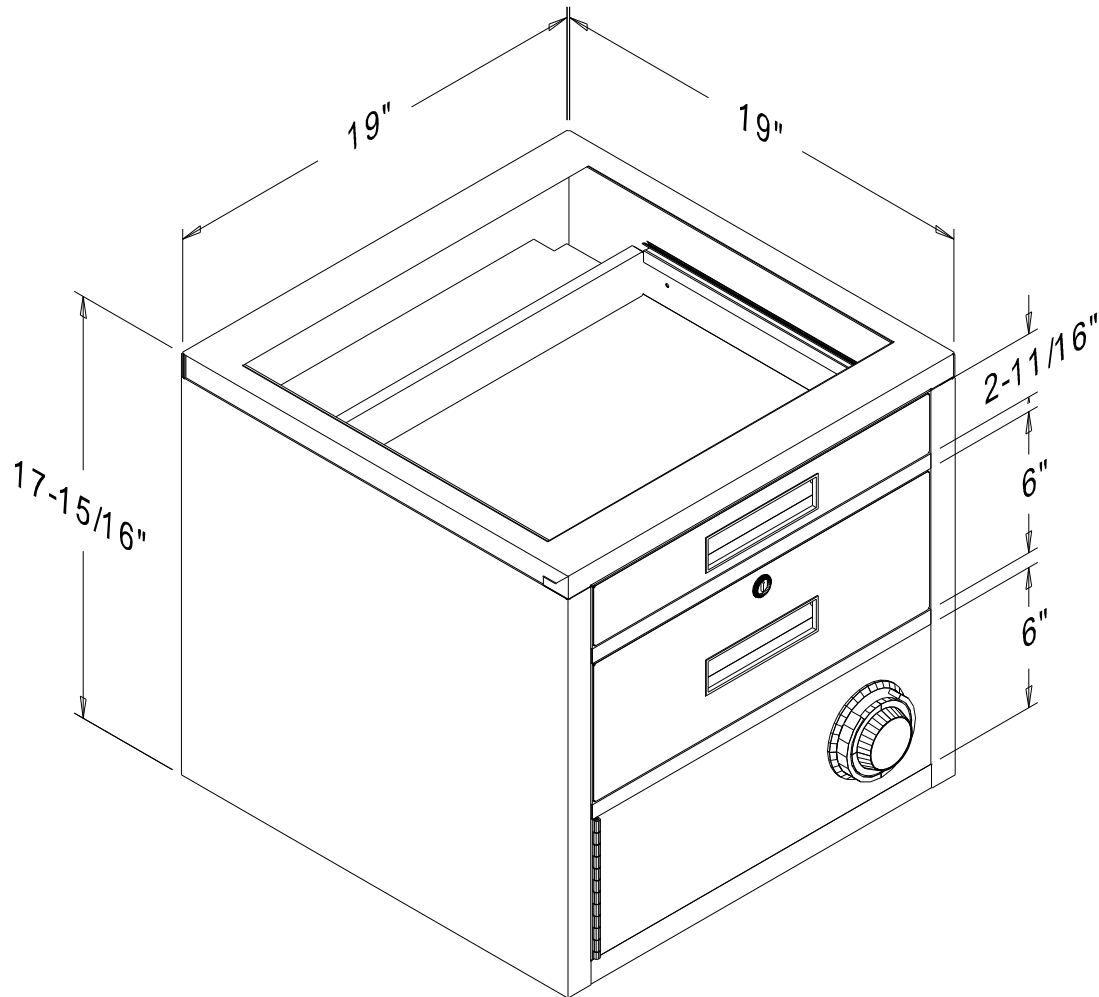


PART NO.:	TITLE: SP-33	USED BY:	SCALE: NTS	ORDER NO.:	PACKAGE SHEET: OF
SHEET: OF:		DATE:	DRN BY: Bolton T. DATE: 01/26/15	CUSTOMER: FENCO	



ONE PENCIL DRAWER OVER
ONE KEY-LOCKING BOX DRAWER
OVER A 1/8" THICK STEEL PLATE
LOCKER DOOR EQUIPPED W/
A GROUP II SPY PROOF MECH.
COMBO LOCK.

Last Update: 01/26/2015 - Bolton T.

Fenco
Undercounter & Forecounter Equipment
P.O. BOX 1238 BURLINGTON, NJ 08016-0516
www.fencobankequipment.com