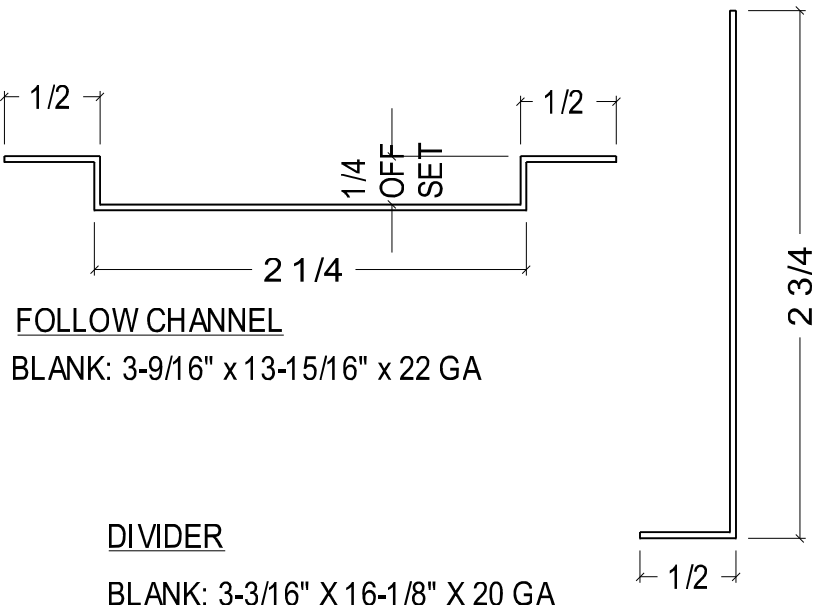
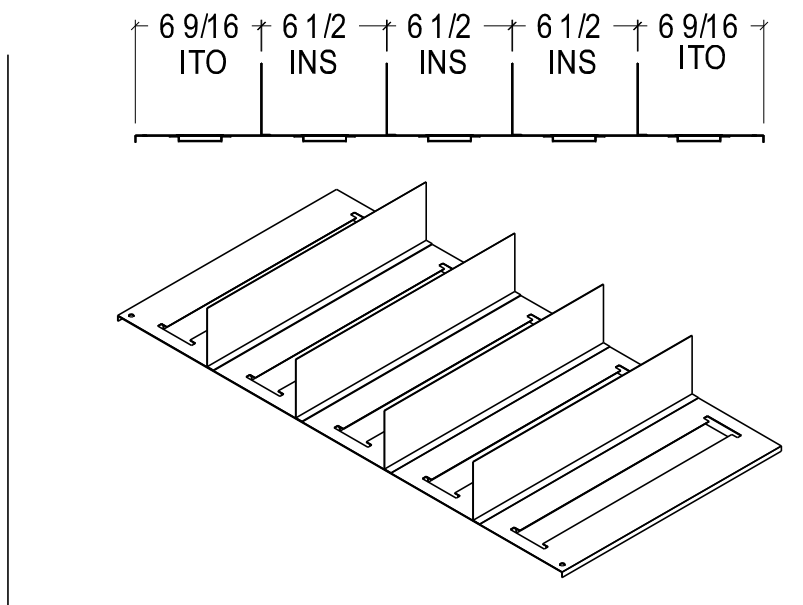
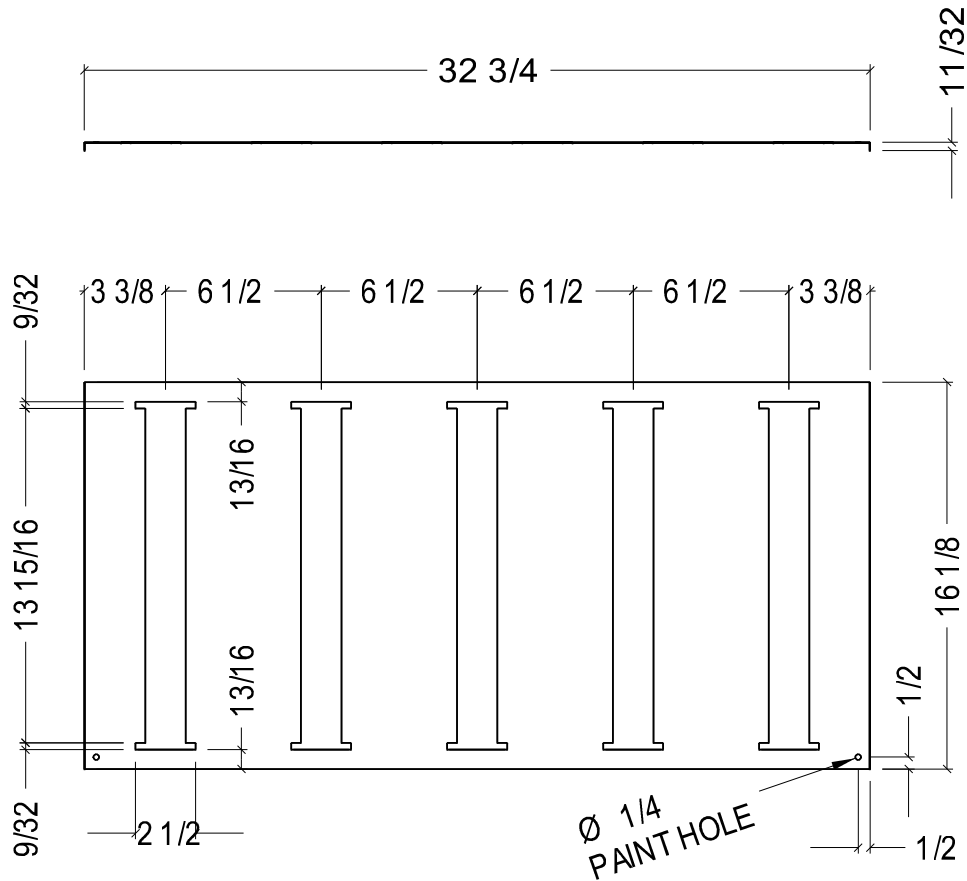


PART NO:	TITLE: LATERAL P- 46 INSERT (4 X 6)	USED BY:	SCALE:	ORDER NO. STOCK	PACKAGE SHEET: OF
SHEET: OF		DATE:	DRN BY: Bolton T. DATE: 03/17/08	CUSTOMER: PRODUCTION	



**INSERT**

BLANK: 33-5/16" x 16-1/8" x 22 GA.  
 AMADA: 33-5/16" x 19-5/8"; @ 1/BL

**FOLLOW CHANNEL**  
 BLANK: 3-9/16" x 13-15/16" x 22 GA

**DIVIDER**  
 BLANK: 3-3/16" X 16-1/8" X 20 GA

Last Update: 03/17/2008 by Bolton T..