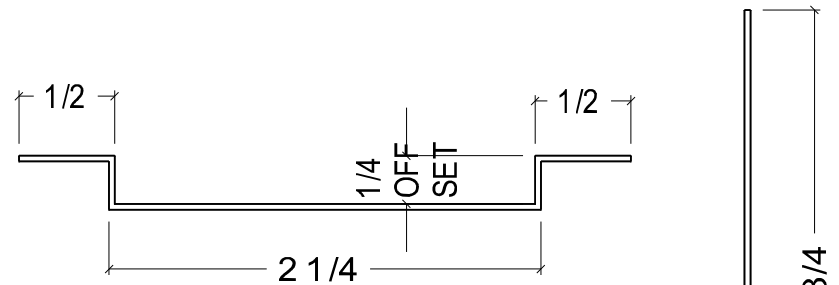
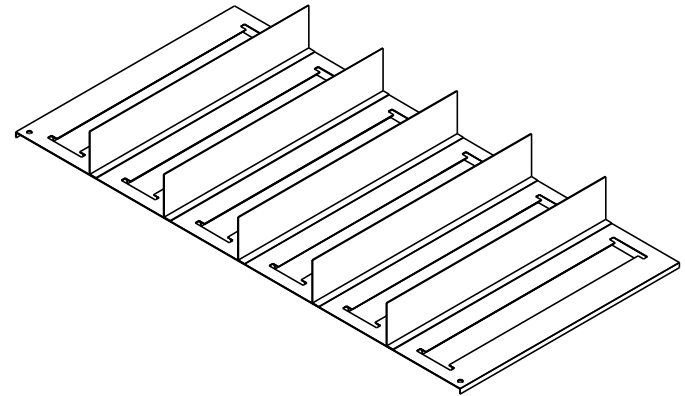
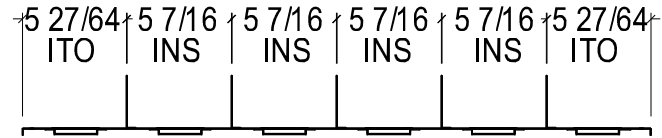
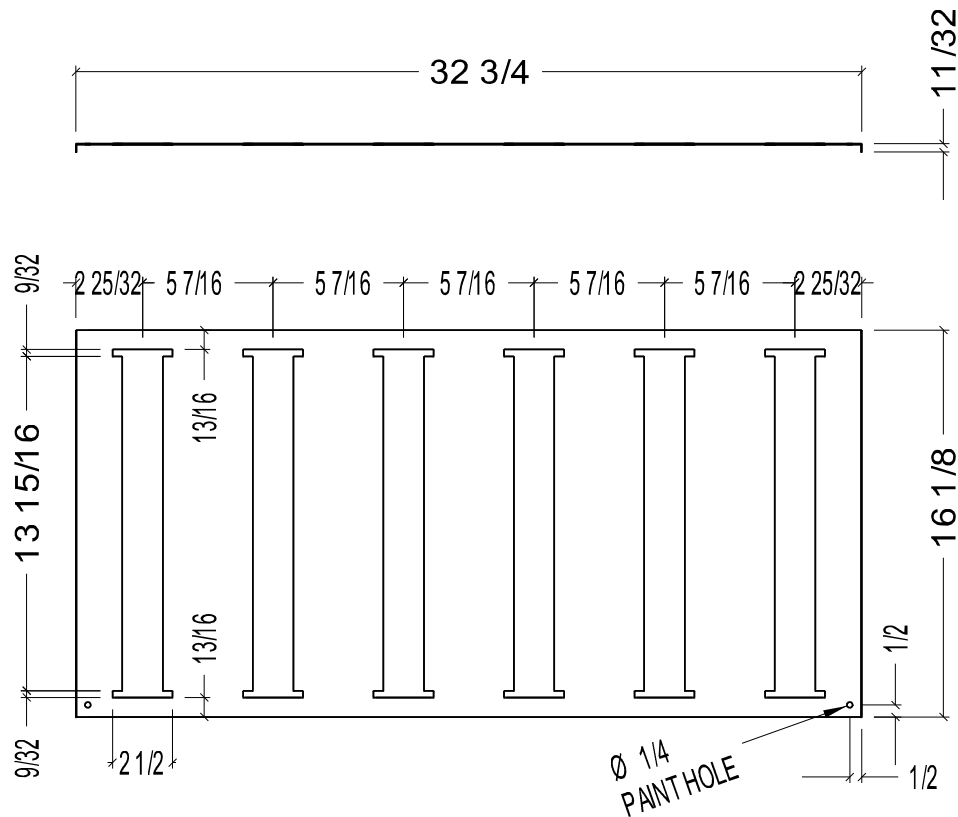


PART NO:	TITLE: LATERAL P- 35 INSERT (3 X 5)	USED BY:	SCALE:	ORDER NO. STOCK	PACKAGE SHEET: OF
SHEET: OF		DATE:	DRN BY: Bolton T. DATE: 03/17/08	CUSTOMER: PRODUCTION	



FOLLOW CHANNEL
 BLANK: 3-9/16" x 13-15/16" x 22 GA

DIVIDER
 BLANK: 3-3/16" X 16-1/8" X 20 GA

INSERT

BLANK: 33-5/16" x 16-1/8" x 22 GA
 AMADA: 33-5/16" x 19-5/8"; @ 1/ BL

Last Update: 03/17/2008 by Bolton T..



UNITED HOSPITAL SUPPLY CORP.

P.O. BOX 1238 BURLINGTON, NJ 08016-0516