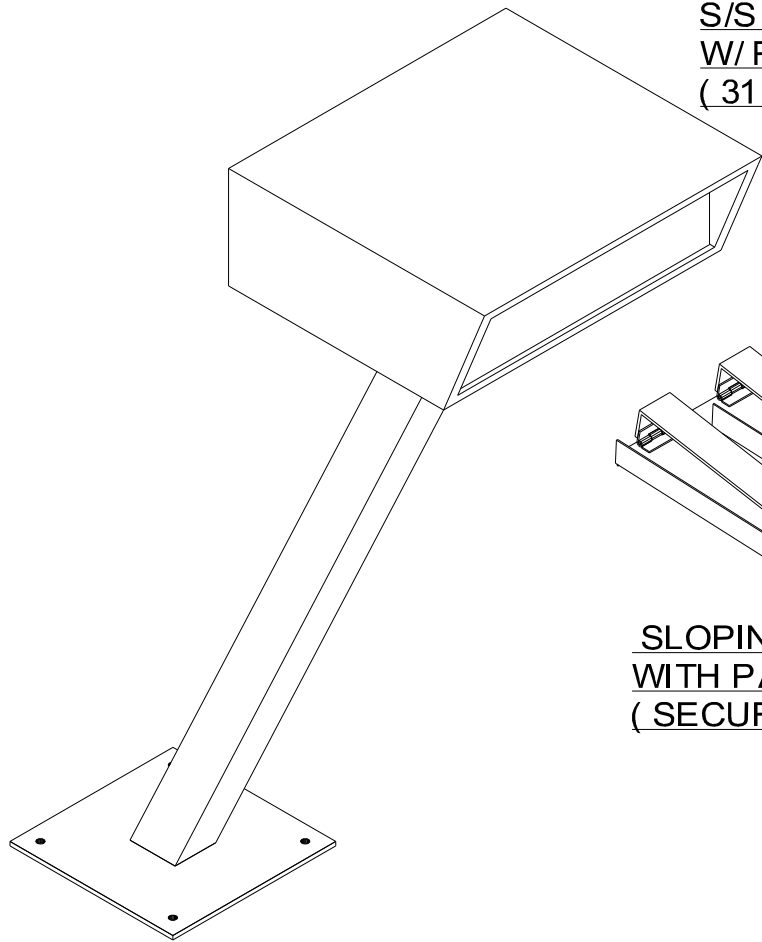
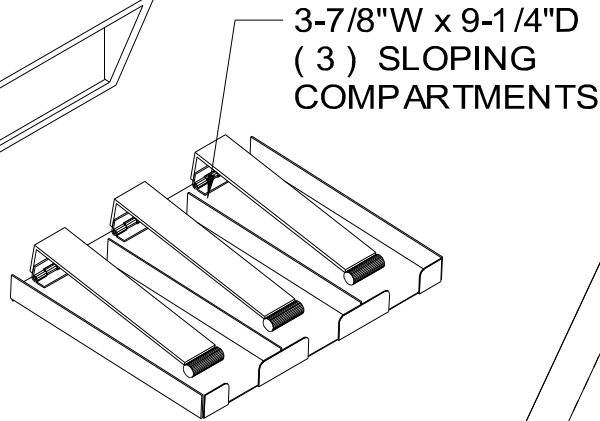


PART NO.:	TITLE:	USED BY: Bolton T.	SCALE: NTS	ORDER NO: -	PACKAGE SHEET: OF
SHEET: OF:	P-100A, S/S DRIVE-UP DISPENSER	DATE:	DRN BY: Bolton T. DATE: 04/12/16	CUSTOMER: FENCO	

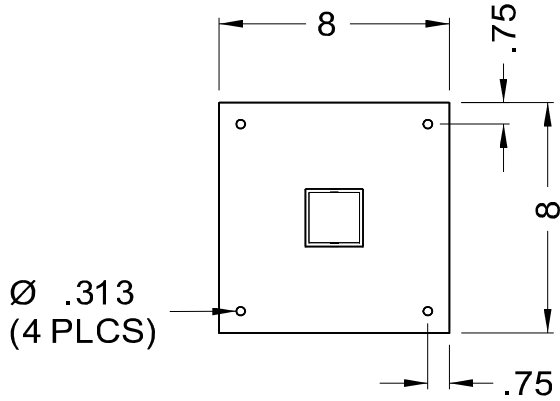
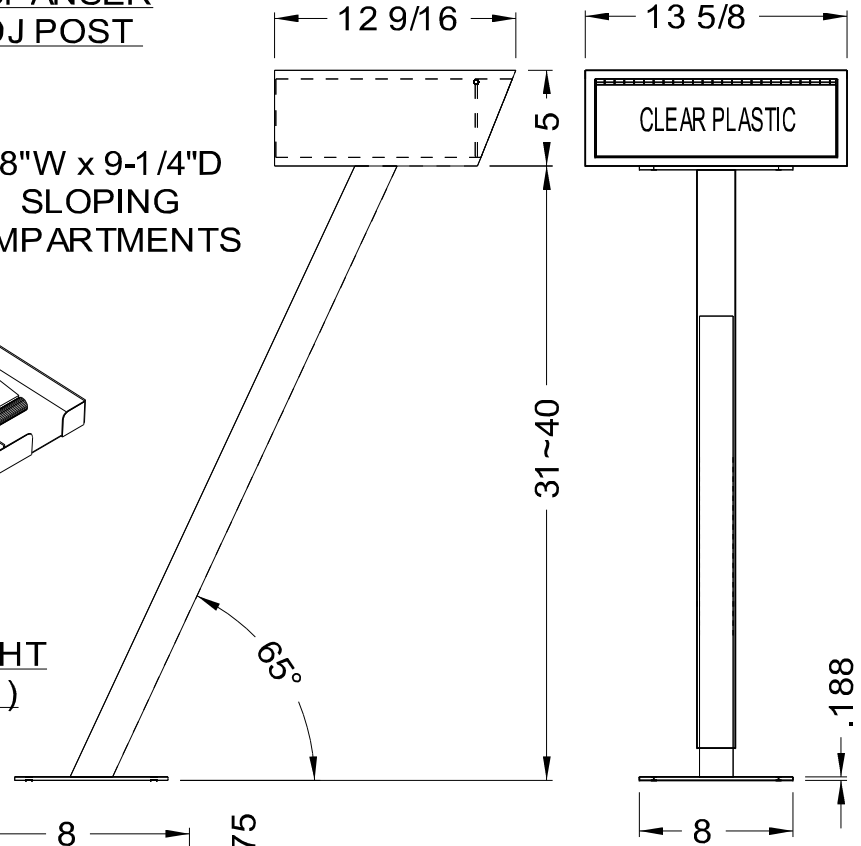


**S/S FORMS DISPANSER
W/ PAINTED ADJ POST
(31" TO 40")**



**3-7/8"W x 9-1/4"D
(3) SLOPING
COMPARTMENTS**

**SLOPING INSERT
WITH PAPER WEIGHT
(SECURED INSIDE)**



**8"X8" SQ PLATE
W/ (4) 5/16" DIA HOLES**

Last Update: 04/12/2016 - Bolton T.

Fenco
Undercounter & Forecounter Equipment
P.O. BOX 1238 BURLINGTON, NJ 08016-0516
www.fencobankequipment.com

